

PATENT CONFIDENTIAL

REV.	DESCRIPTION	DATE
A	RELEASE	Mar. 08, 2018
B	ADD. DATE CODE	Mar. 21, 2018
C	PACKAGE MODIFY	May. 08, 2018
D	DRAW. MODIFY	Aug. 28, 2018
E	DRAW. MODIFY	Apr. 19, 2019
F	DRAW. MODIFY	Sep. 05, 2019

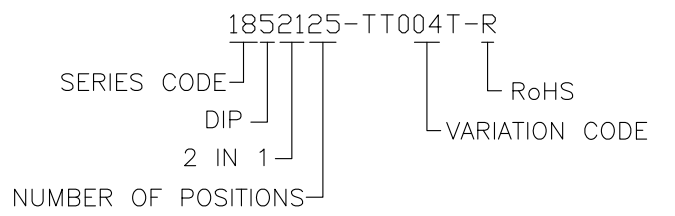
MATERIALS

1. AUDIO HOUSING : P.B.T. (UL94V-0), BLACK.
2. AUDIO BUSHING : PC (UL94V-HB), COLOR: SEE TABLE.
3. BOTTOM COVER : NYLON 9T, (UL94V-0), BLACK.
4. SPDIF HOUSING : P.B.T. (UL94V-0), BLACK.
5. SPDIF DOOR FRAME & GATE FLAP : NYLON 9T (UL94V-0), BLACK.
6. LAP TERMINAL : BRASS, TIN PLATING OVER NICKEL.
7. TERMINAL : PHOSPHOR BRONZE, TIN PLATING. GOLD FLASH PLATING ON CONTACT POINT.
8. WASHER : BRASS, GOLD FLASH PLATING.
9. SHIELD : SUS430, NICKEL PLATING.
10. SPDIF IC : IC DRIVE(TX)

SPECIFICATION

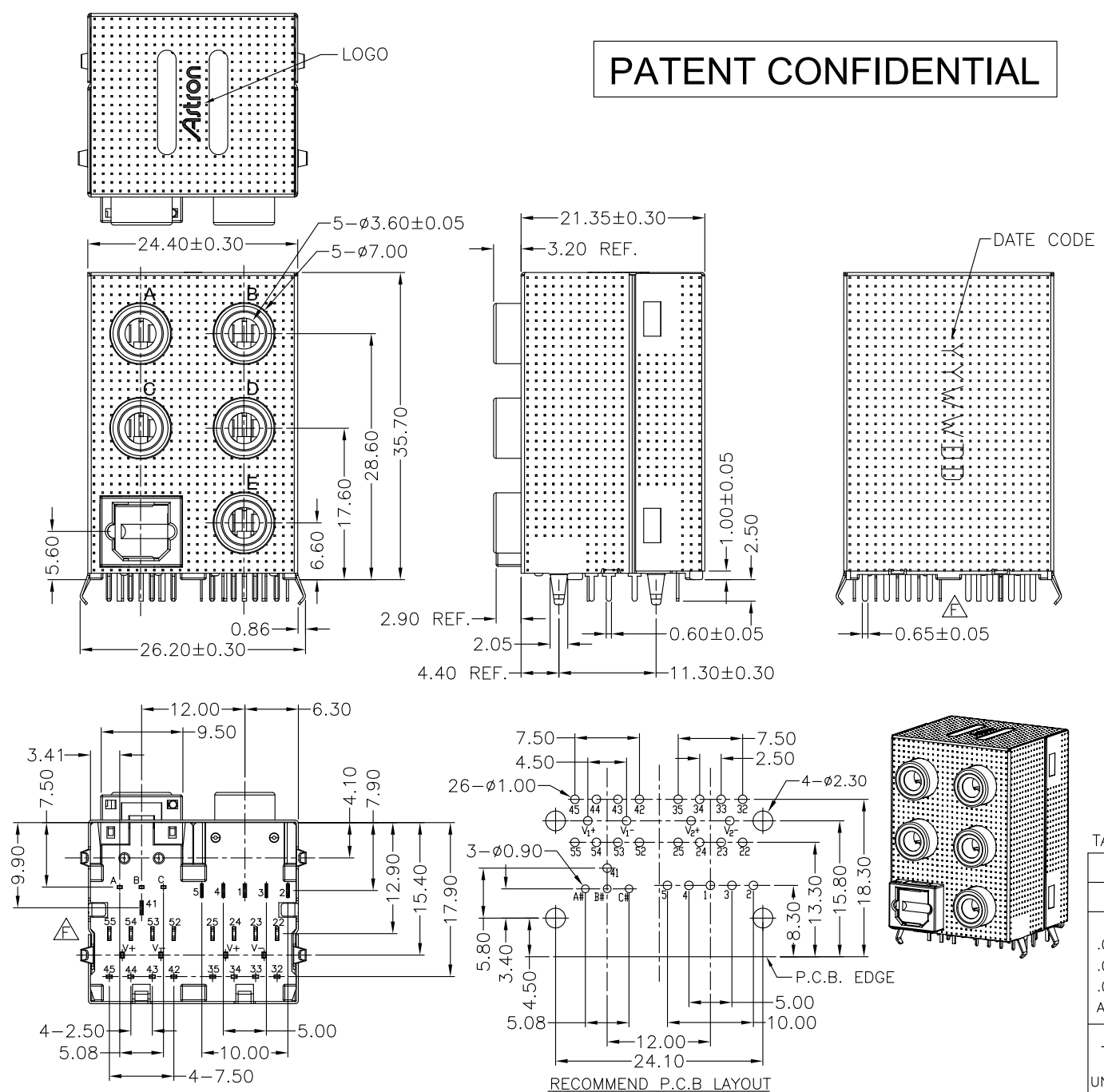
1. DIELECTRIC WITHSTANDING VOLTAGE : 500V AC R.M.S. FOR ONE MINUTE.
2. INSULATION RESISTANCE : 1000M OHMS MIN.
3. CONTACT RESISTANCE : 50m OHMS MAX.
4. OPERATING TEMPERATURE : -25°C TO +85°C.
5. INSERTION FORCE: 3.0Kgf MAX.
6. WITHDRAWAL FORCE: 0.3Kgf MIN.
7. DURABILITY : 1,500 CYCLES.

PART NUMBER INFORMATION



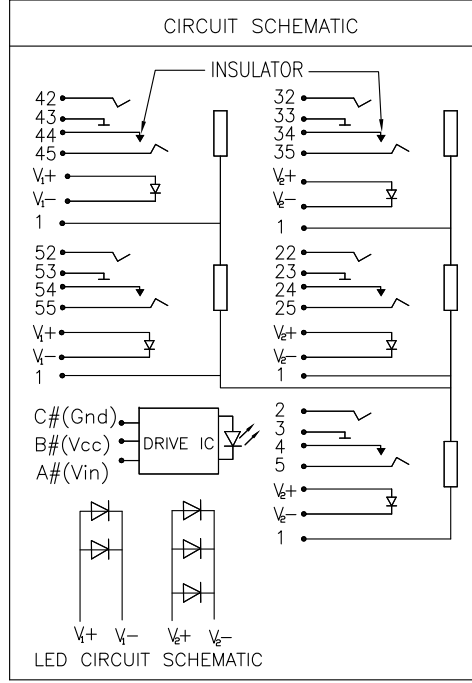
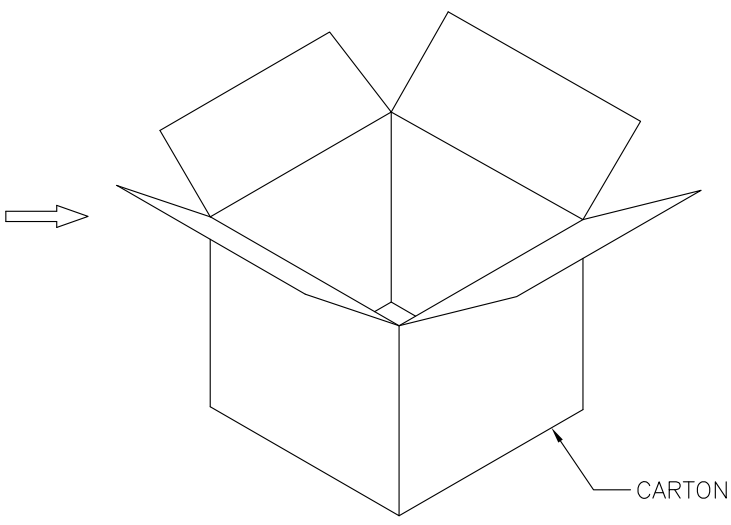
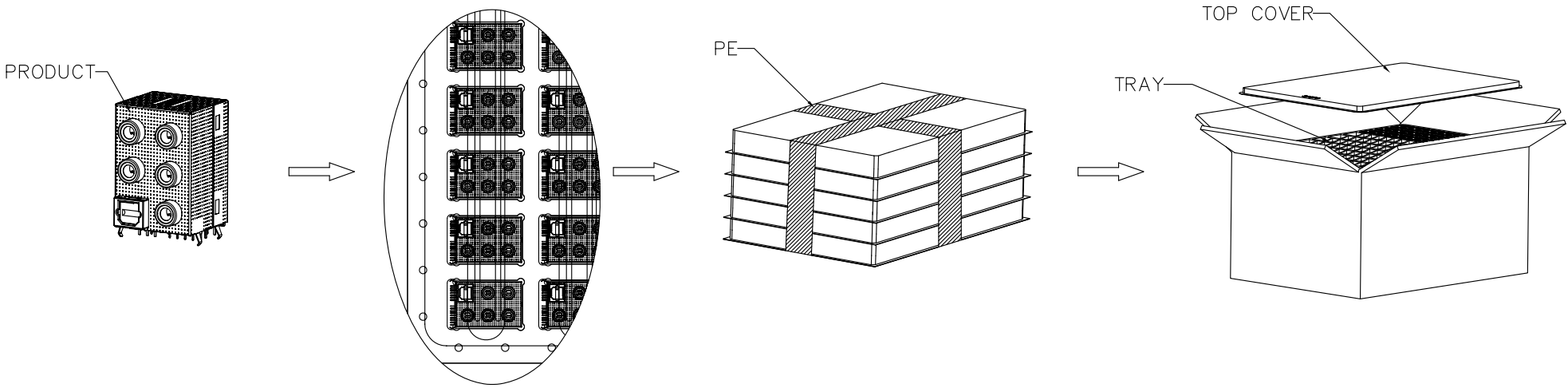
TABLE

A	B	C	D	E
BLACK	BLACK	BLACK	RED	BLACK
TOLERANCE		DRAWER		 WWW.ASTRON.COM.TW
.0=±0.35		Kenny		
.00=±0.30		CHECK		
.000=±0.20		APP'D		
ANG.=±3°		PRODUCT SPEC.		NAME
 UNITS : mm		ALAN		AUDIO JACK(5 PORT)+FIBER OPTICS RIGHT ANGLE, DIP TYPE (WITH LED)
				DRAW NO. 1852125-TT004T-R
SCALE NONE	SIZE A4	SHEET 1 OF 2	REV. F	D08041-C 13004



RECOMMEND P.C.B LAYOUT
TOLERANCE:±0.05 TOP VIEW

REV.	DESCRIPTION	DATE
A	RELEASE	Mar. 08, 2018
B	ADD. DATE CODE	Mar. 21, 2018
C	PACKAGE MODIFY	May. 08, 2018
D	DRAW. MODIFY	Aug. 28, 2018
E	DRAW. MODIFY	Apr. 19, 2019
F	DRAW. MODIFY	Sep. 05, 2019



PACKAGE :

1. SIZE :
 TRAY : 375x280x28mm (LxWxH)
 INNER BOX : 385x290x150mm (LxWxH)
 CARTON : 400x310x330mm (LxWxH)
2. QUANTITY :
 50 PCS/TRAY
 5 TRAY/INNER BOX = 250 PCS
 2 INNER BOX/CARTON = 500 PCS

TOLERANCE		DRAWER <i>KENNY</i>		Astron WWW.ASTRON.COM.TW	
.0=±		CHECK <i>JOE</i>			
.00=±		APP'D <i>ALAN</i>		NAME AUDIO JACK(5 PORT)+FIBER OPTICS	
.000=±		PRODUCT SPEC.		RIGHT ANGLE, DIP TYPE (WITH LED)	
ANG.=±3'		UNITS : mm		DRAW NO. 1852125-TT004T-R	
SCALE NONE		SIZE A4	SHEET 2 OF 2	REV. F	D08041-C
				13004	