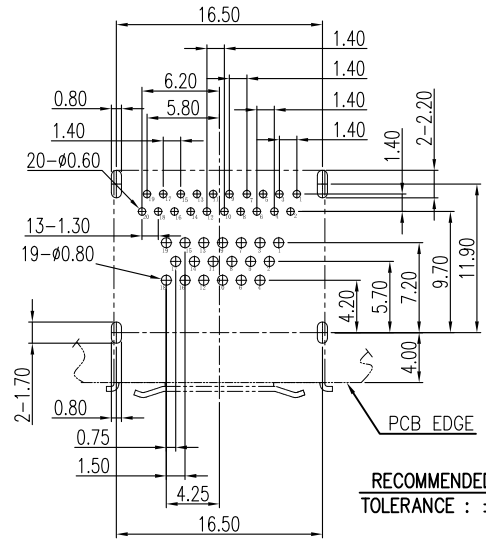
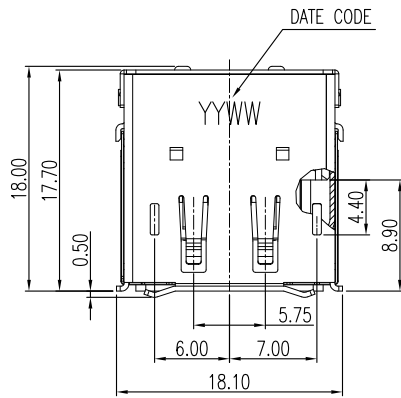


REV.	DESCRIPTION	DATE
A	RELEASED	Oct. 17, 2019
B	DRAWING CORRECT	May. 10, 2021

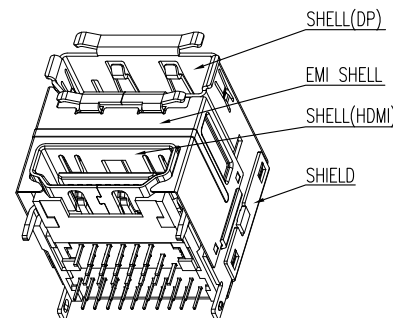
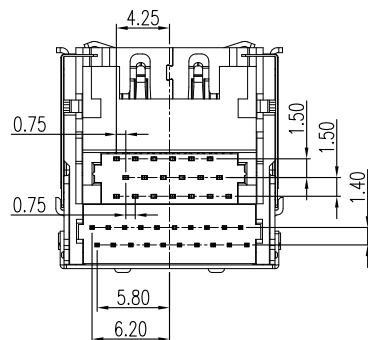
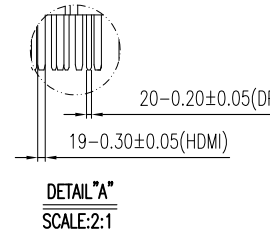
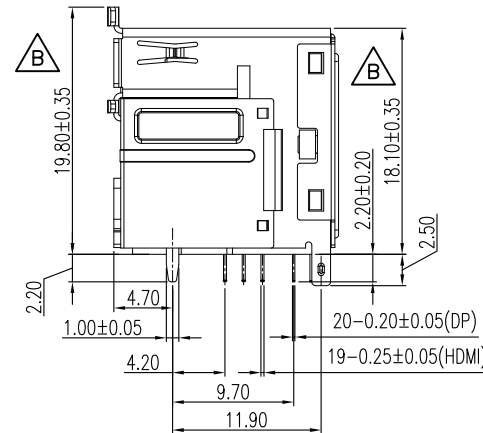
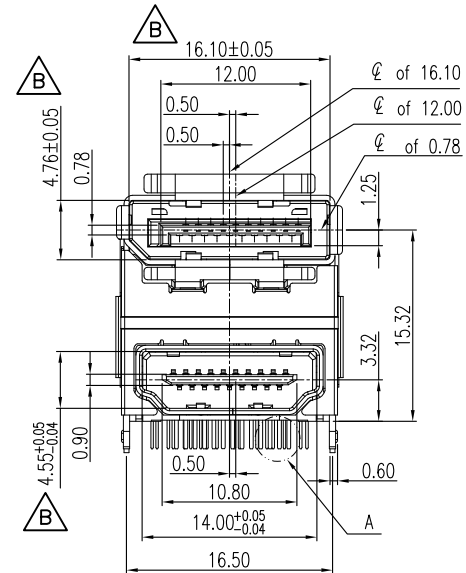


MATERIALS

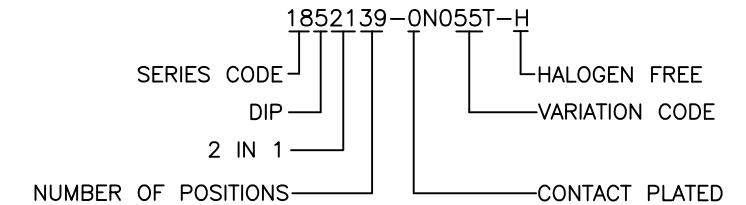
1. HOUSING (DP) : LCP (UL 94V-0), BLACK.
2. HOUSING (HDMI) : LCP (UL 94V-0), BLACK.
3. HOUSING (DP-MOLDING) : LCP (UL 94V-0), BLACK.
4. TERMINAL : COPPER ALLOY,
GOLD FLASH PLATED ON CONTACT AREA,
MATTE TIN PLATED ON SOLDER AREA,
NI UNDERPLATED ON OVERALL.
5. SHELL(DP) : COPPER ALLOY, NICKEL PLATED.
6. SHELL(HDMI) : COPPER ALLOY, NICKEL PLATED.
7. SHIELD : SPCC.
8. EMI SHELL : STAINLESS STEEL.

SPECIFICATION

1. CURRENT RATING : 0.5A
2. CONTACT RESISTANCE : 30m Ω MAX.
3. INSULATION RESISTANCE : 100M Ω Min.
4. DIELECTRIC WITHSTANDING VOLTAGE : 500 VAC r.m.s
5. OPERATING TEMPERATURE : -25°C TO +85°C.
6. MATING FORCE : 4.5 Kgf MAX.
7. UNMATING FORCE : 1.0 Kgf Min.
8. OPERATION VOLTAGE: 40 VAC r.m.s MAX.

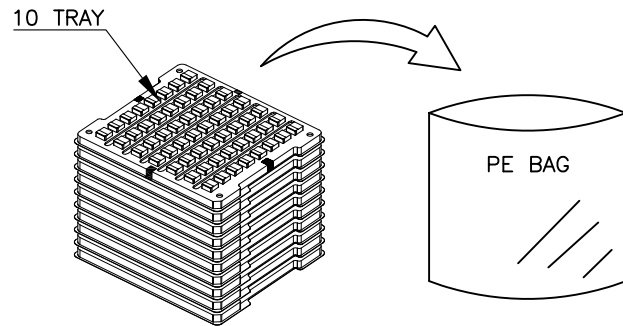
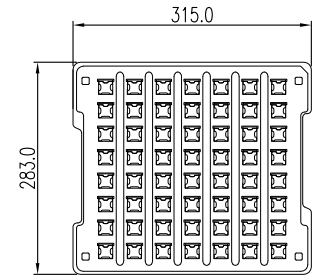
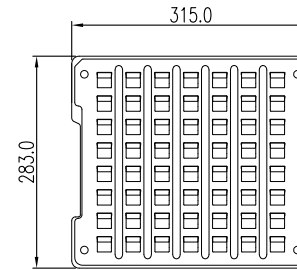
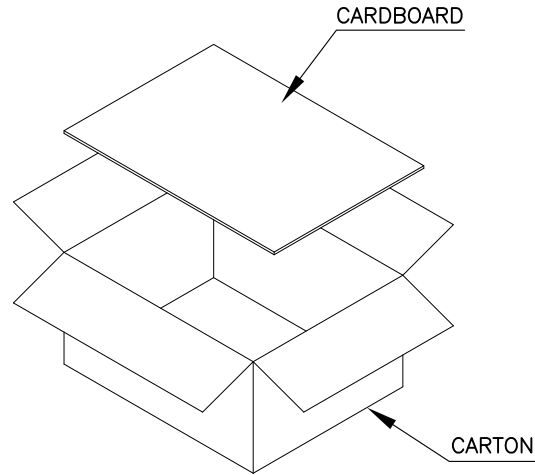
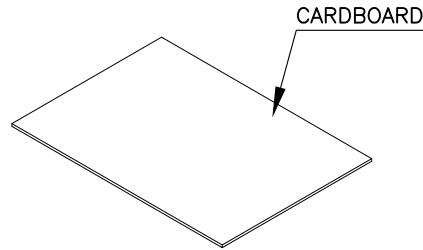


PART NUMBER INFORMATION :



GENERAL TOLERANCE		DRAWER	 ASTRON TECHNOLOGY CORP.	
DIM.	0. = $\pm X.XX$.0 = $\pm X.XX$.00 = ± 0.25 .000 = ± 0.13	KENNY CHECK ERP		
ANG.	.0° = $\pm 2^\circ$	APP'D ALAN	NAME COMBO CONNECTOR DisplayPort + HDMI A TYPE WITHOUT POST, FEMALE TYPE	
3rd ANGLE PROJECTION UNITS : mm		PRODUCT SPEC. -	PART NO. 1852139-ON055T-H	
SCALE NONE	SIZE A4	SHEET 1 OF 2	REV. B	C NO. 08031(07002)

REV.	DESCRIPTION	DATE
A	RELEASED	Oct. 17, 2019
B	DRAWING CORRECT	May. 10, 2021



PACKAGE

1. SIZE :

TRAY : 315 x 283 mm (LxW)

CARTON : 325 x 290 x 285 mm (LxWxH)

2. QUANTITY :

56 PCS/TRAY

10 TRAY/CARTON = 560 PCS

GENERAL TOLERANCE		DRAWER	Astron® ASTRON TECHNOLOGY CORP.	
DIM. 0. = ±5 .0 = ±1 .00 = ±0.5		CHECK		
ANG. .0° = ±2°		APP'D	NAME COMBO CONNECTOR	
3rd ANGLE PROJECTION		PRODUCT SPEC.	DisplayPort + HDMI A TYPE	
UNITS : mm			WITHOUT POST , FEMALE TYPE	
SCALE NONE		SIZE A4	PART NO. 1852139-0N055T-H	
SHEET 2 OF 2		REV. B	08031(07002) C NO.	
			CONFIDENTIAL	