

REV.	DESCRIPTION	DATE
A	RELEASED	Jan. 15, 2020
B	MODIFY CODE	Mar. 30, 2020

PIN DEFINITION

USB2.0		USB3.0		ESATA	
NAME	TYPE	NAME	TYPE	NAME	TYPE
P1	VBUS	P12	SSRX-	P5	GND
P2	D-	P13	SSRX+	P6	A+
P3	D+	P14	GND	P7	A-
P4	GND	P15	SSTX-	P8	GND
		P16	SSTX+	P9	B-
				P10	B+
				P11	GND

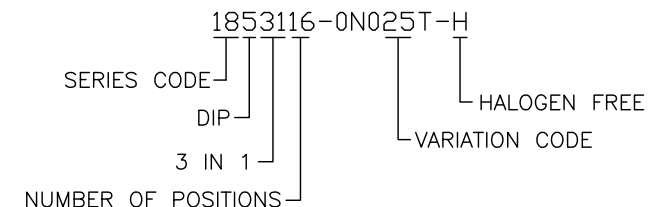
MATERIALS




- HOUSING : L.C.P. (UL 94V-0), BLACK.
- TERMINAL : USB : PHOSPHOR BRONZE, (t=0.25mm)
E-SATA : BRASS, (t=0.20mm)
GOLD FLASH PLATED ON CONTACT AREA,
TIN PLATED ON SOLDER TAIL,
UNDER NICKEL PLATED OVER ALL.
- SHELL : STAINLESS STEEL, (t=0.30mm), NICKEL PLATING.

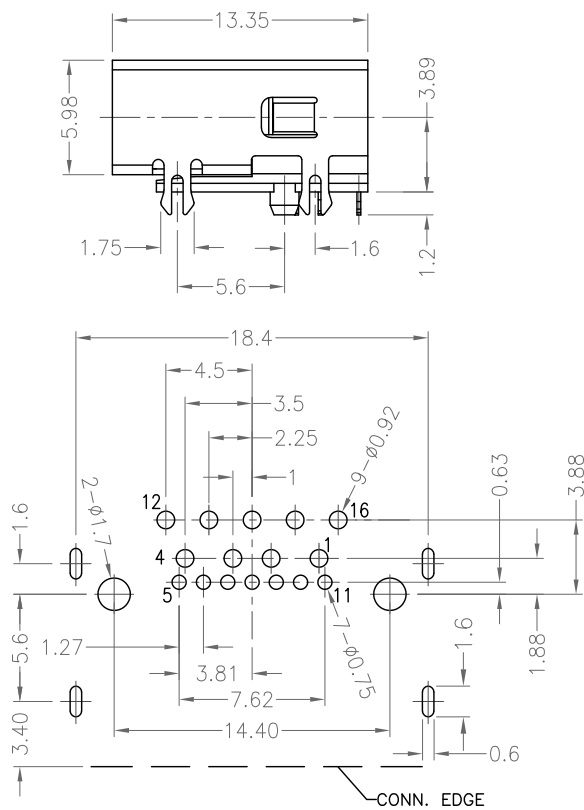
SPECIFICATION

- CURRENT RATING :
USB : 1.5 AMP. MAX.
E-SATA : 0.1 AMP. MAX.
- VOLTAGE RATING :
USB : 30 V AC RMS.
E-SATA : 10 V AC MAX.
- DIELECTRIC WITHSTANDING VOLTAGE :
500V AC R.M.S. FOR ONE MINUTE.
- INSULATION RESISTANCE : 1000M OHMS MIN. AT 500V DC.
- CONTACT RESISTANCE : 30m OHMS MAX.
- DURABILITY :
USB : 1,500 CYCLES.
E-SATA : 2,500 CYCLES.
- MATING FORCE :
USB : 35N MAX.
E-SATA : 40N MAX.
- UNMATING FORCE :
USB : 10N MIN. FOR AFTER LIFE TEST.
E-SATA : 10N MIN. FOR AFTER LIFE TEST.
- OPERATING TEMPERATURE : -40°C TO +85°C.

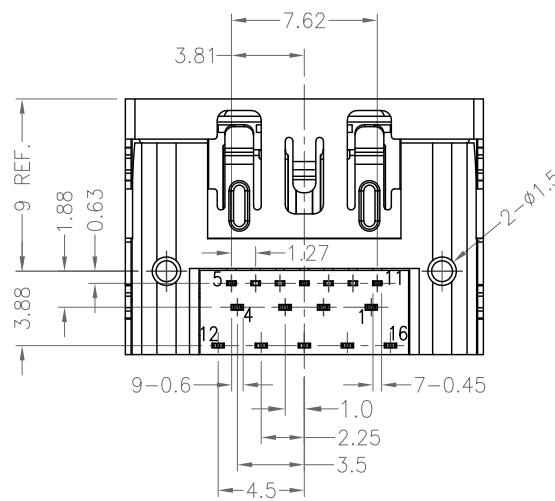
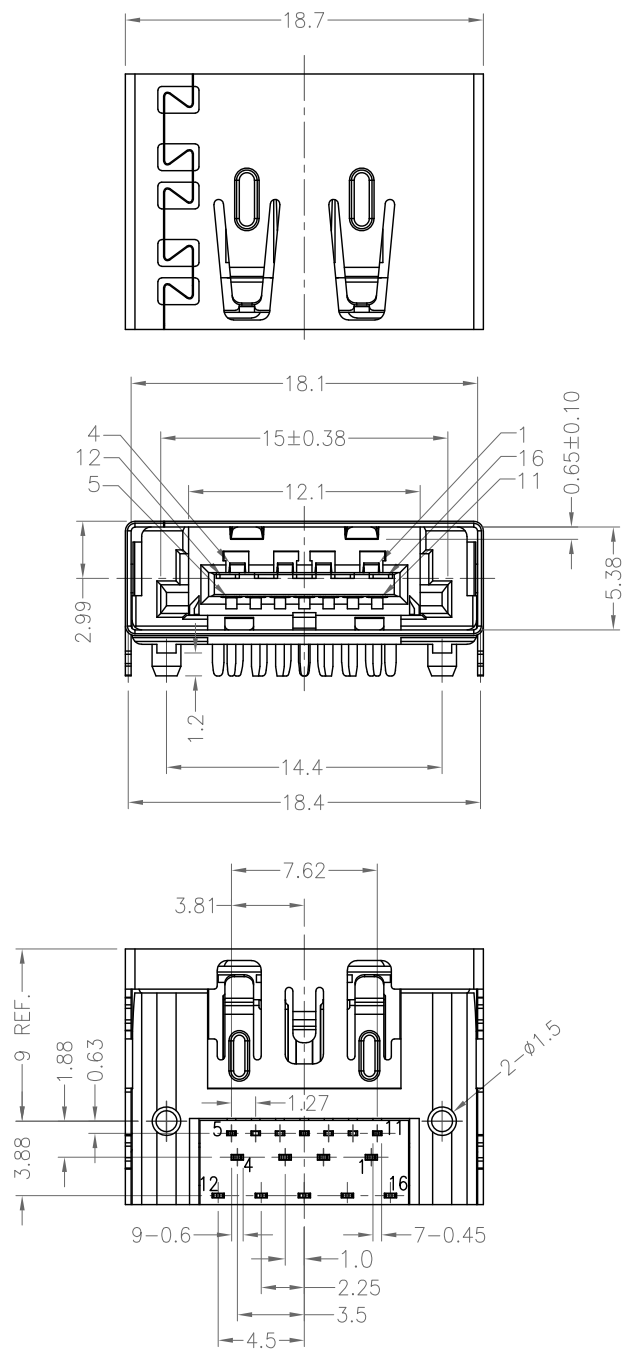
PART NUMBER INFORMATION :



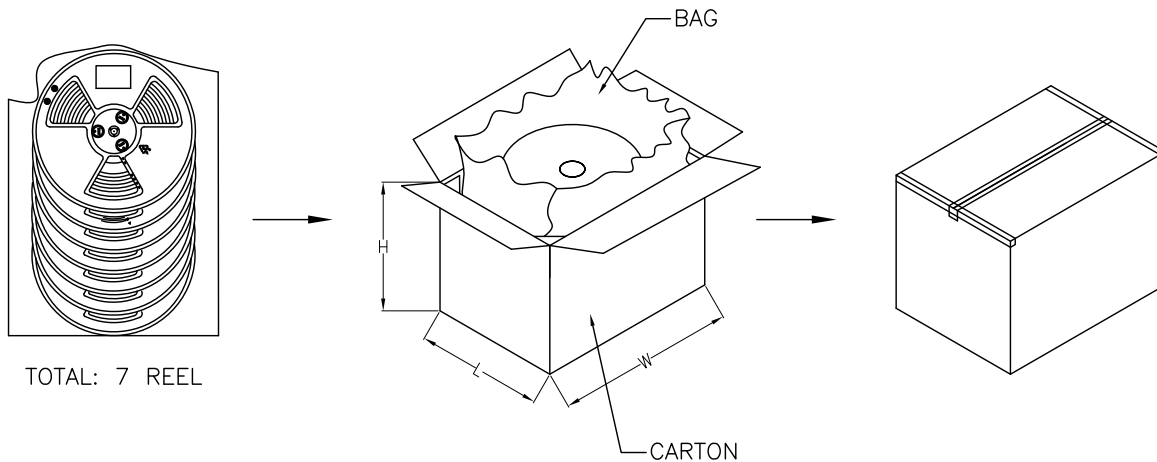
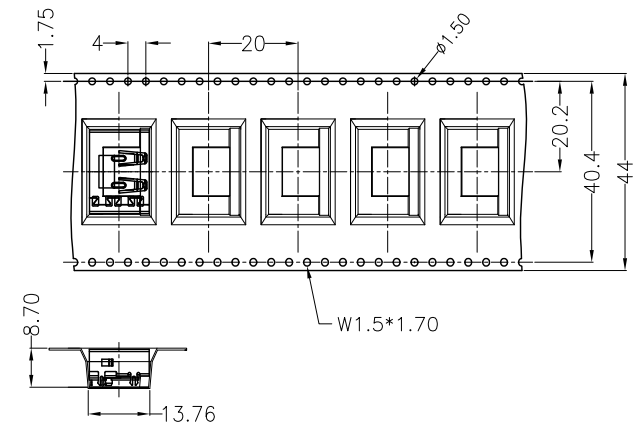
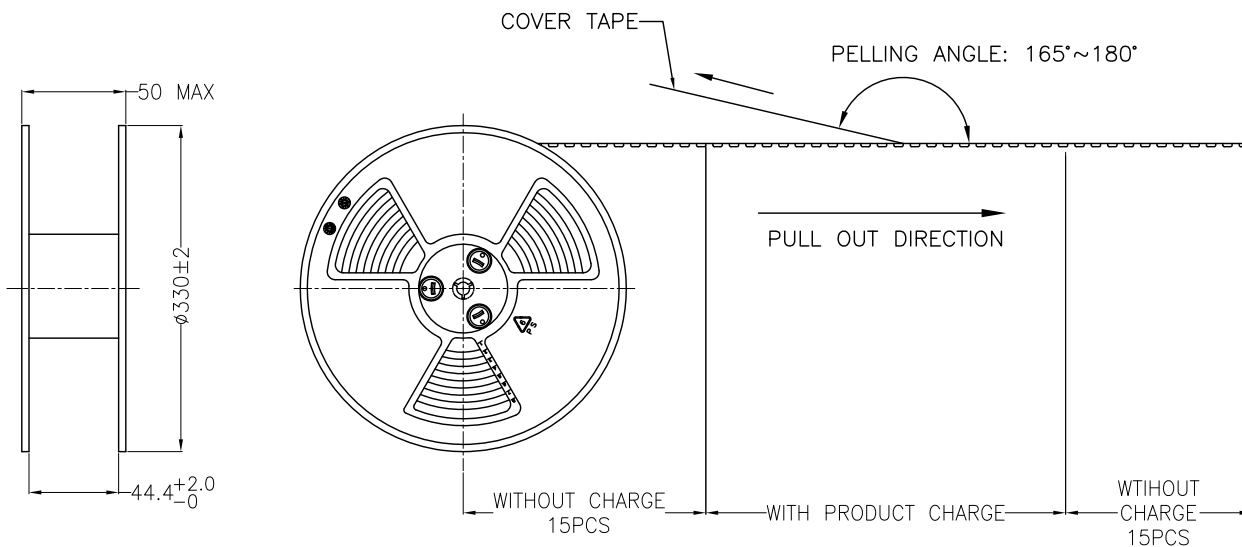
TOLERANCE .0=±0.38 .00=±0.25 .000=± .0000=± ANG.=±3°		DRAWER <i>LLJ</i>	 WWW.ASTRON.COM.TW	
 UNITS : mm		CHECK <i>SRFB</i>		NAME HYBRID CONNECTOR USB 2.0 + USB 3.0 + eSATA DIP TYPE, FEMALE
SCALE NONE	SIZE A4	SHEET 1 OF 2	REV. B	DRAW NO. 1853116-0N025T-H
		10032		



RECOMMEND P.C.B. LAYOUT
TOLERANCE:±0.05mm (TOP VIEW)



REV.	DESCRIPTION	DATE
A	RELEASED	Jan. 15, 2020
B	MODIFY CODE	Mar. 30, 2020



NOTE:

- CARTON SIZE : L=350, W=350, H=370
- QUANTITY:
250 PCS / REEL
1,750 PCS / 7 REEL / CARTON

TOLERANCE		DRAWER		Astron WWW.ASTRON.COM.TW
.0=± .00=± .000=± .0000=±. ANG.=±3'		LJF		
		CHECK		NAME HYBRID CONNECTOR USB 2.0 + USB 3.0 + eSATA DIP TYPE, FEMALE
		ERJ		
		APP'D		DRAW NO. 1853116-0N025T-H
		ALAN		
		PRODUCT SPEC.		SCALE NONE
		—		
UNITS : mm		SHEET		REV. B
		2 OF 2		
SIZE A4		10032		8
		△		