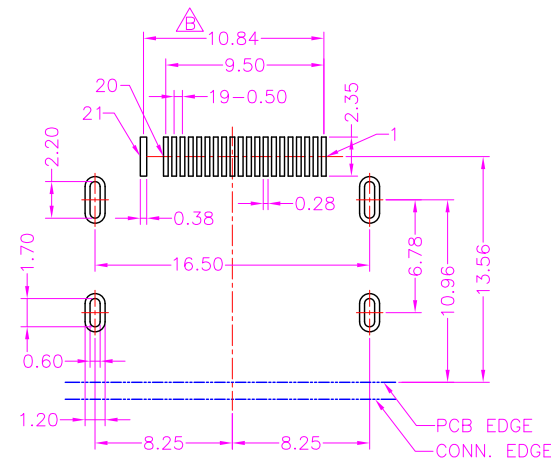
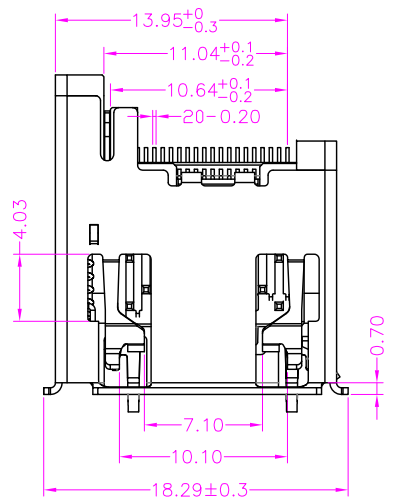
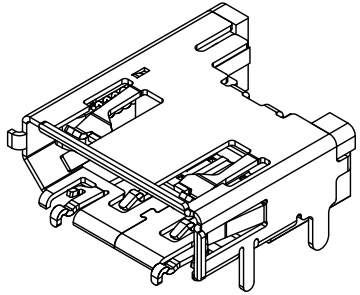
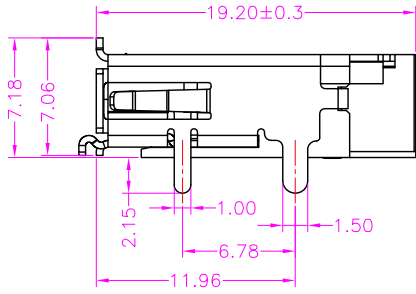
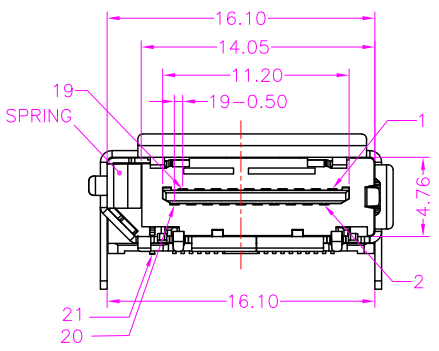
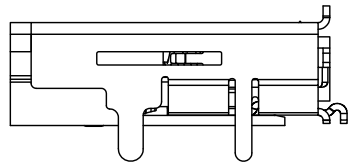


REV.	DESCRIPTION	DATE
A	RELEASE	Mar. 29, 2016
B	DRAW MODIFY	Jul. 21, 2016



RECOMMEND P.C.B. LAYOUT
TOP VIEW



SIGNAL ASSIGNMENT

PIN	HDMI	DisplayPort
1	TMDS Data2+	ML_Lane 0(p)
2	TMDS Data2 Shield	GND
3	TMDS Data2-	ML_Lane 0 (n)
4	TMDS Data1+	ML_Lane 1 (p)
5	TMDS Data1 Shield	GND
6	TMDS Data1-	ML_Lane 1 (n)
7	TMDS Data0+	ML_Lane 2 (p)
8	TMDS Data0 Shield	GND
9	TMDS Data0-	ML_Lane 2 (n)
10	TMDS Clock+	ML_Lane 3 (p)
11	TMDS Clock Shield	GND
12	TMDS Clock-	ML_Lane 3 (n)
13	CEC	CONFIG1
14	Reserved (N.C. on device)	CONFIG2
15	SCL	AUX CH (p)
16	SDA	GND
17	DDC/CEC Ground	AUX CH (n)
18	+5V Power	Hot Plug Detect
19	Hot Plug Detect	Return
20		DP_PWR

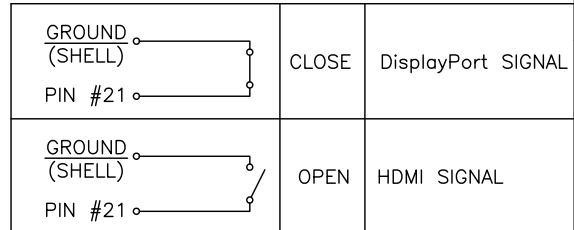
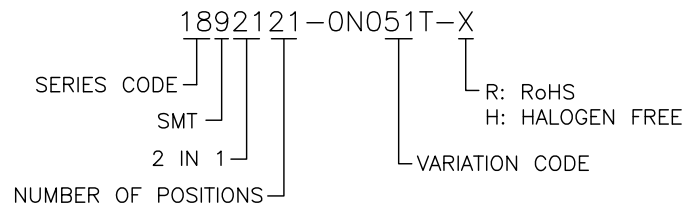
MATERIALS

1. HOUSING : L.C.P, (UL 94V-0), BLACK
2. TERMINAL : BRASS,
GOLD PLATED ON CONTACT AREA,
TIN PLATED ON SOLDER TAIL,
UNDER NICKEL PLATED OVER ALL.
3. DETECTION PIN : PHOSPHOR BRONZE, GOLD PLATING.
4. SHELL : STAINLESS STEEL, NICKEL PLATING.
5. SPRING : STAINLESS STEEL, NICKEL PLATING.

SPECIFICATION

1. CURRENT RATING : 0.5 A MIN.
2. INSULATION RESISTANCE : 100M OHMS MIN.
3. CONTACT RESISTANCE : 30m OHMS MAX.
4. DURABILITY : 10,000 CYCLES.
5. OPERATING TEMPERATURE : -25°C TO +85°C.

PART NUMBER INFORMATION :

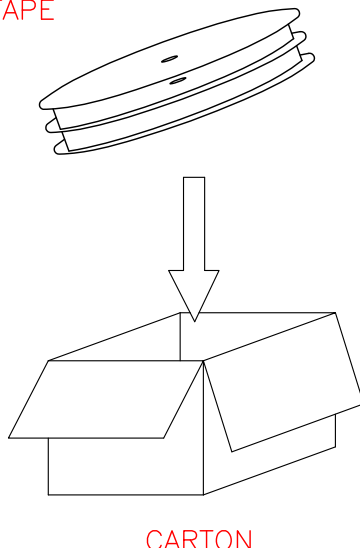
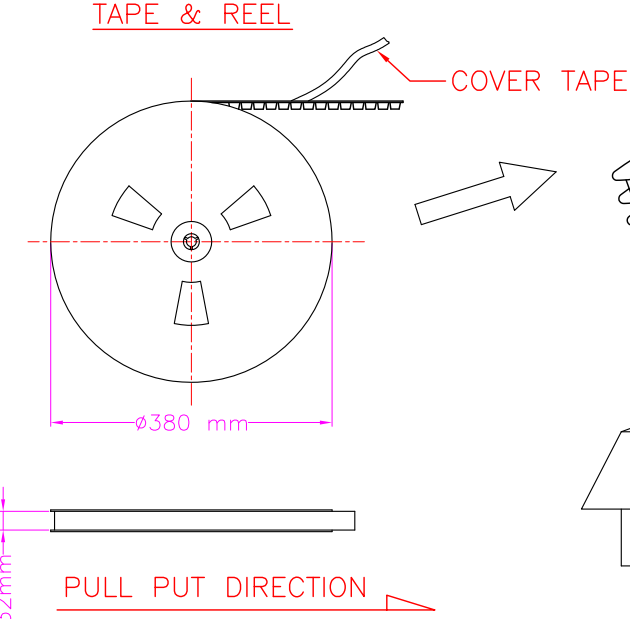
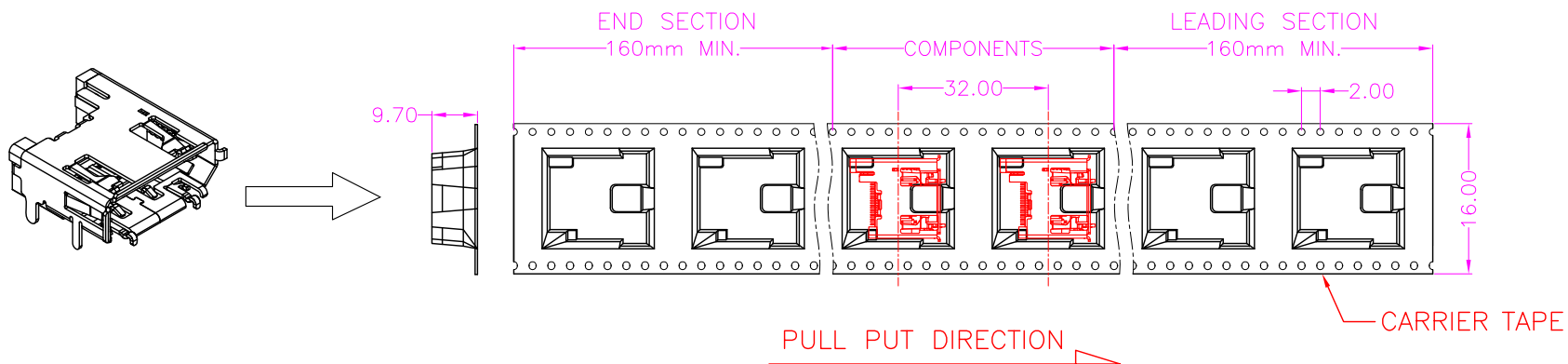


TOLERANCE	
.0=±0.25	
.00=±0.15	
.000=±.XXX	
.0000=±.	
ANG.=±3°	
UNITS : mm	
SCALE NONE	SIZE A4

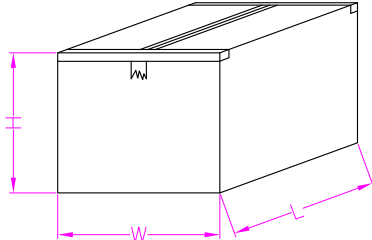
DRAWER	NFB0LE
CHECK	JINJ
APP'D	ERP
PRODUCT SPEC.	

Astron WWW.ASTRON.COM.TW	
NAME UHDI (DisplayPort + HDMI) HYBRID CONNECTOR	
DRAW NO. 1892121-0N051T-X	
SHEET 1 OF 3	REV. B
12008	A0003

REV.	DESCRIPTION	DATE
A	RELEASE	Mar. 29, 2016
B	DRAW MODIFY	Jul. 21, 2016

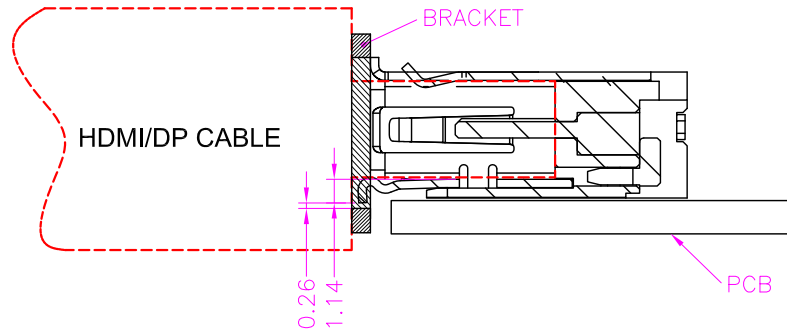
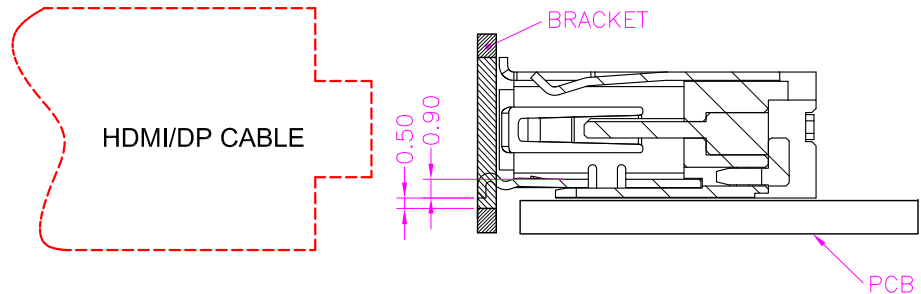
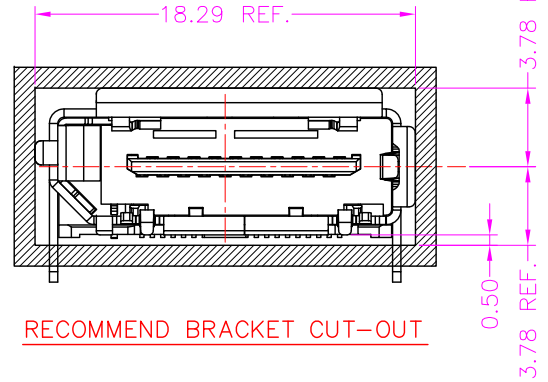
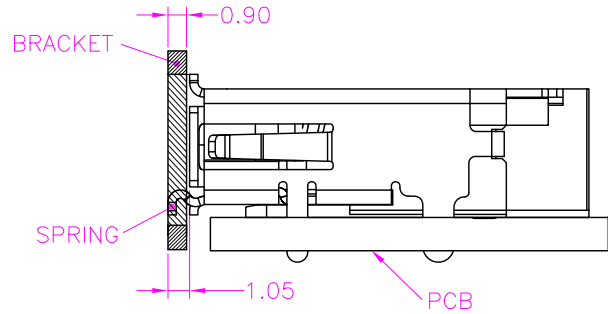


- PACKAGE:**
1. CARTON SIZE : 387(L)X387(W)X370(H)
 2. 300PCS/REEL
 3. 10REEL/CARTON : 3000PCS



TOLERANCE .0=±.XXX .00=±3 .000=±.XXX .0000=±. ANG.=±3°		DRAWER <i>NFC028</i>		 WWW.ASTRON.COM.TW	
CHECK <i>JFNG</i>		NAME UHDI (DisplayPort + HDMI) HYBRID CONNECTOR			
APP'D <i>ERP</i>		DRAW NO. 1892121-0N051T-X			
PRODUCT SPEC. _____		SCALE NONE		SIZE A4	
UNITS : mm		SHEET 2 OF 3	REV. B	12008	A0003

REV.	DESCRIPTION	DATE
A	RELEASE	Mar. 29, 2016
B	DRAW MODIFY	Jul. 21, 2016



CABLE INSERTED BEFORE AND AFTER SCHEMATIC

TOLERANCE	
.0=±0.25	
.00=±0.15	
.000=±.XXX	
.0000=±.	
ANG.=±3°	

DRAWER	<i>NFOLE</i>
CHECK	<i>JIN</i>
APP'D	<i>ERP</i>
PRODUCT SPEC.	—

Astron WWW.ASTRON.COM.TW	
NAME UHDI (DisplayPort + HDMI) HYBRID CONNECTOR	
DRAW NO. 1892121-0N051T-X	
SCALE NONE	SIZE A4
SHEET 3 OF 3	REV. B
12008	A0003