

REV.	DESCRIPTION	DATE
A	RELEASE	Jun. 10, 2014
B	DIM. MODIFY	Mar. 18, 2015
C	DIM. MODIFY	Mar. 03, 2016
D	DRAW. MODIFY	Mar. 28, 2017
E	DIM. MODIFY	Jun. 01, 2017
F	DIM. MODIFY	Oct. 23, 2017

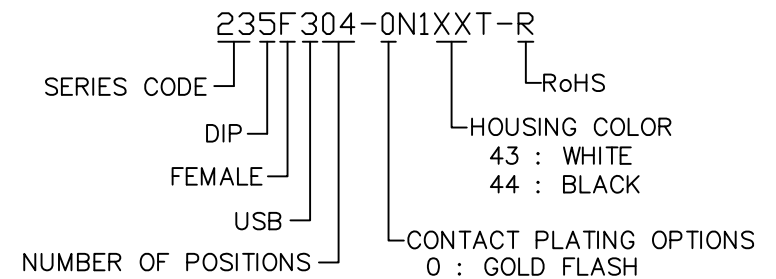
MATERIALS


- HOUSING : P.B.T. (UL 94V-0).
- TERMINAL : BRASS.
GOLD PLATED ON CONTACT AREA,
TIN PLATED ON SOLDER TAIL,
UNDER NICKEL PLATED OVER ALL.
- SHELL : BRASS, NICKEL PLATED

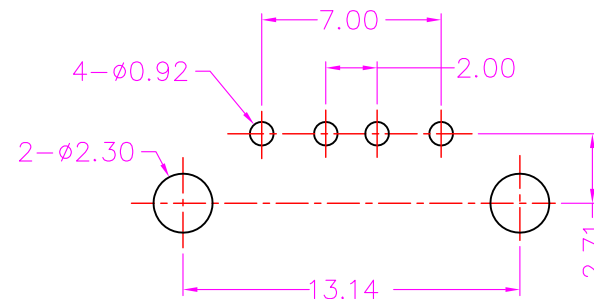
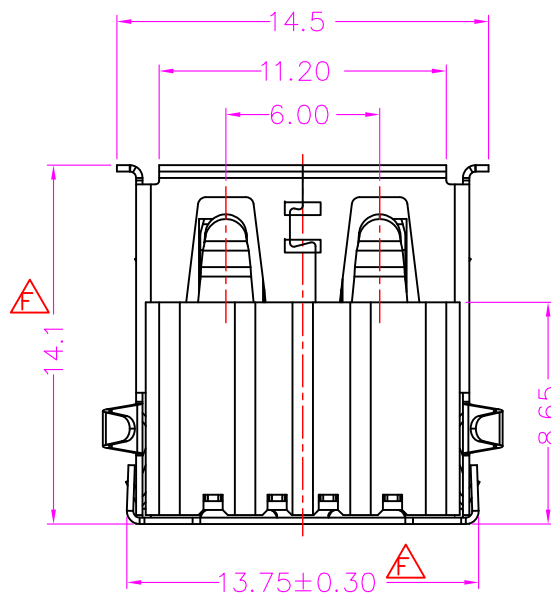
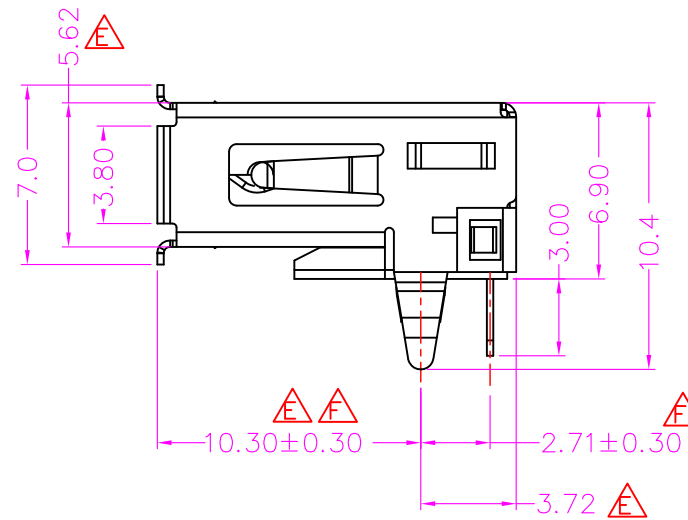
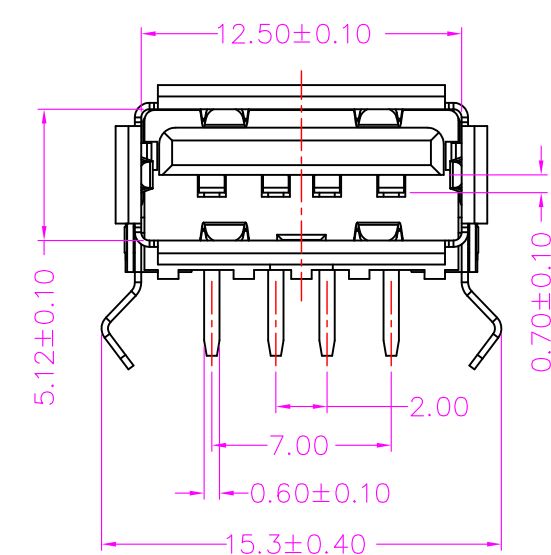
SPECIFICATION

- CURRENT RATING : 1 AMP. MAX.
- DIELECTRIC WITHSTANDING VOLTAGE :
500V AC R.M.S. FOR ONE MINUTE.
- INSULATION RESISTANCE : 1000M OHMS MIN.
AT 500V DC.
- CONTACT RESISTANCE : 30m OHMS MAX.
- OPERATING TEMPERATURE : -25°C TO +85°C.
- DURABILITY : 1500 CYCLES.
- MATING FORCE : 1.0 ~ 3.5kgs.
- UNMATING FORCE : 1.0 ~ 3.5kgs.

PART NUMBER INFORMATION :



TOLERANCE .0=±0.30 .00=±0.20 .000=±.XXX .0000=±. ANG.=±3°		DRAWER <i>NF028</i>		 WWW.ASTRON.COM.TW
CHECK <i>JMY</i>		APP'D <i>ERP</i>		
PRODUCT SPEC. —		NAME USB CONNECTOR A TYPE FEMALE R/A DIP		DRAW NO. 235F304-0N1XXT-R
UNITS : mm T-1401		DRAW NO.		
SCALE NONE	SIZE A4	SHEET 1 OF 1	REV. F	03006



RECOMMEND P.C.B. LAYOUT
TOP VIEW