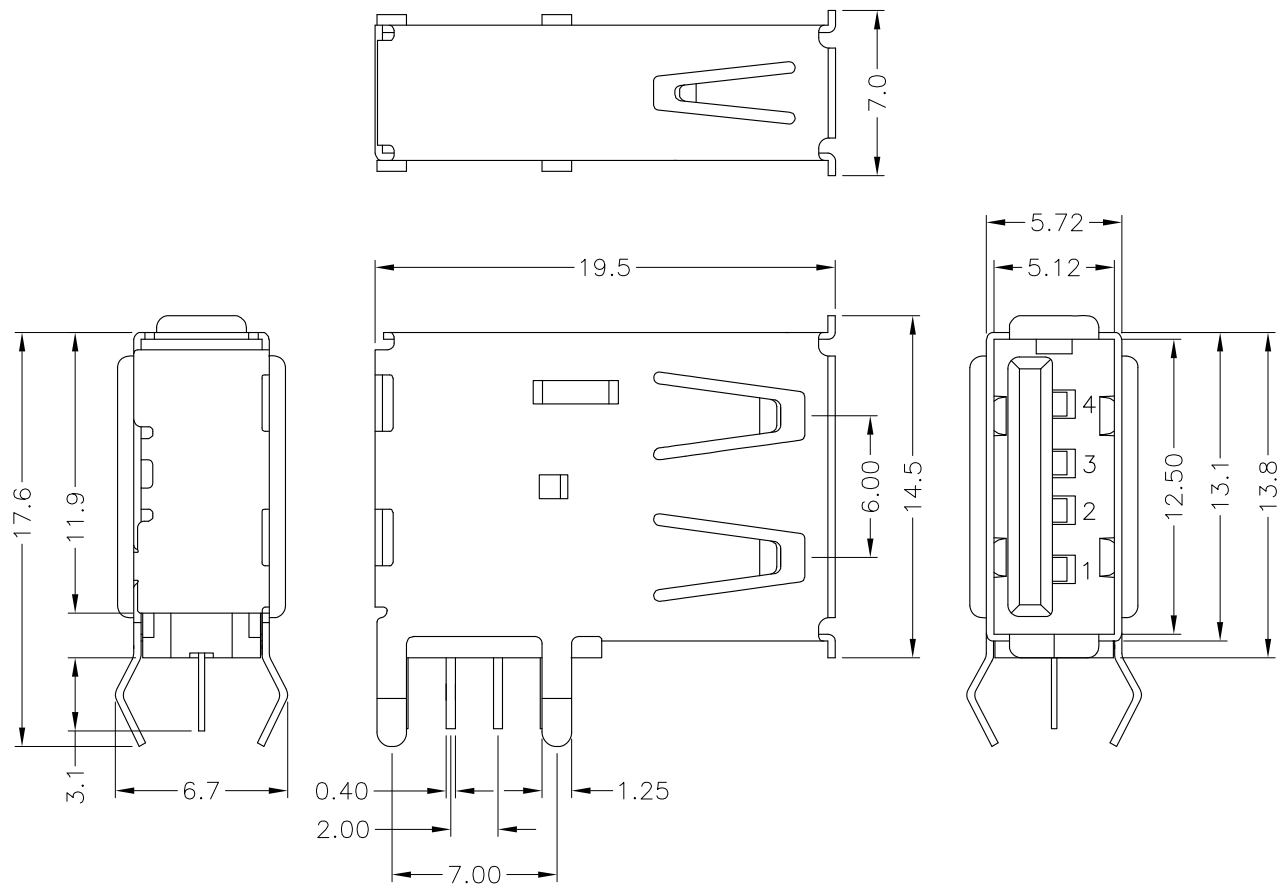


REV.	DESCRIPTION	DATE
A	RELEASED	Feb. 26, 2020
B	MODIFY	Jul. 07, 2020
C	MATERIAL MODIFY	Oct. 12, 2020



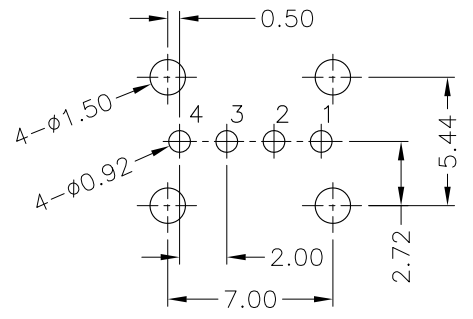
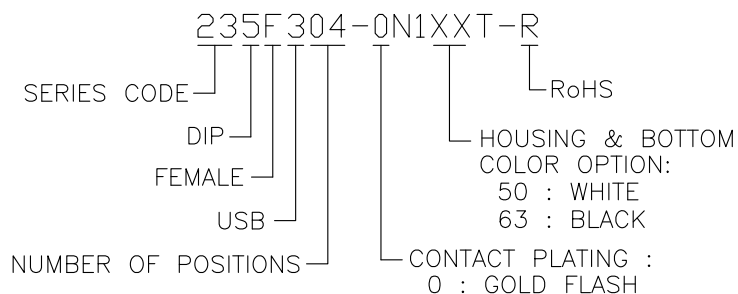
△ MATERIALS

1. HOUSING : PBT (UL 94V-0).
- △ 2. BOTTOM HOUSING : LCP (UL 94V-0).
3. TERMINAL : COPPER ALLOY,
GOLD FLASH PLATED ON CONTACT AREA,
TIN PLATED ON SOLDER TAIL.
4. SHELL : SPCC, NICKEL PLATING.

△ SPECIFICATION

1. CURRENT RATING : 1A MAX.
2. CONTACT RESISTANCE : 30mΩ MAX.
3. DIELECTRIC WITHSTANDING VOLTAGE :
500V AC FOR ONE MINUTE.
4. INSULATION RESISTANCE : 1000MΩ MIN. AT 500V DC.
5. OPERATION TEMPERATURE : -40°C~85°C.

PART NUMBER INFORMATION :

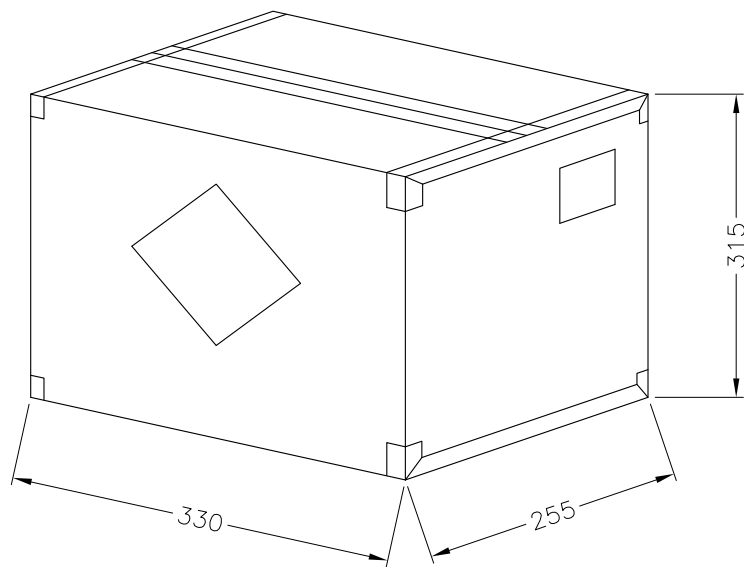
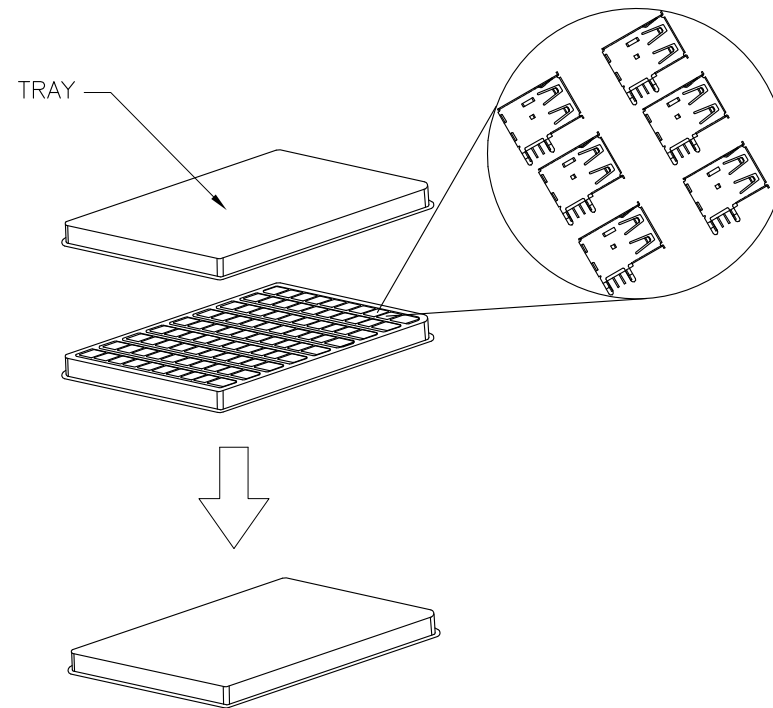
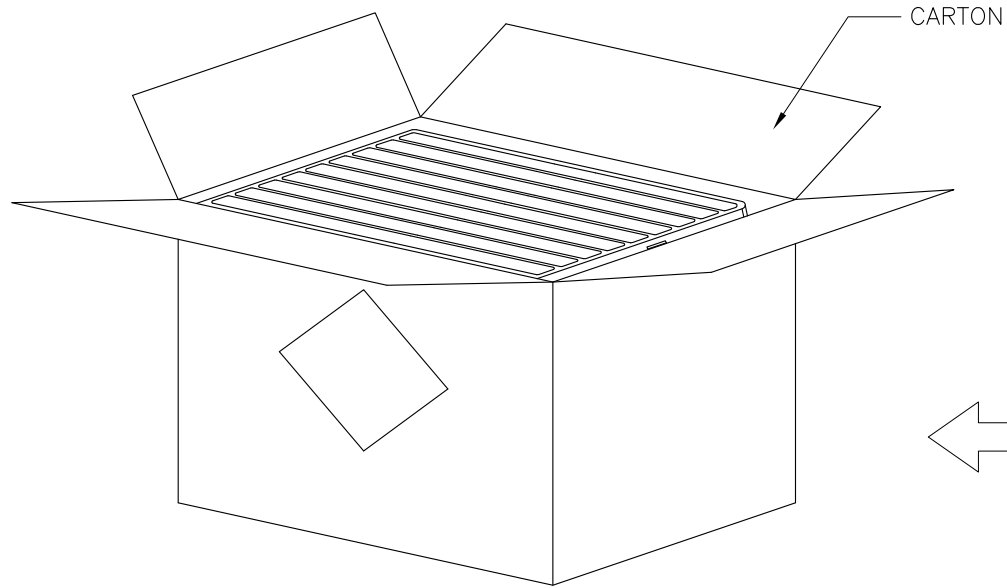


RECOMMEND P.C.B. LAYOUT
TOLERANCE: ±0.05 (TOP VIEW)

PIN NUMBER	SIGNAL NAME
1	VBUS
2	D-
3	D+
4	GND

△ TOLERANCE .0=±0.30 .00=±0.20 .000=±0.10 .0000=±. ANG.=±3°	DRAWER <i>LJI</i>	Astron WWW.ASTRON.COM.TW NAME USB CONNECTOR P.C.B. MOUNT A TYPE METAL SHIELD, FEMALE
	CHECK <i>ERTB</i>	
APP'D <i>ALAN</i>	PRODUCT SPEC. ---	
UNITS : mm SCALE NONE SIZE A4 SHEET 1 OF 2 REV. C	DRAW NO. 235F304-0N1XXT-R	
		03011 △

REV.	DESCRIPTION	DATE
A	RELEASED	Feb. 26, 2020
B	MODIFY	Jul. 07, 2020
C	MATERIAL MODIFY	Oct. 12, 2020



PACKAGE

1. SIZE :
CARTON : 330 x 255 x 315 mm (LxWxH)
2. QUANTITY :
200 PCS / TRAY
15 TRAY / CARTON = 3,000 PCS

TOLERANCE .0=±0.30 .00=±0.20 .000=±0.10 .0000=±. ANG.=±3°	DRAWER <i>LJF</i>	Astron WWW.ASTRON.COM.TW
	CHECK <i>ERTB</i>	
 UNITS : mm	APP'D <i>ALAN</i>	DRAW NO. 235F304-ON1XXT-R
	PACKAGE SPEC. —	03011
SCALE NONE	SIZE A4	SHEET 2 OF 2
		REV. C