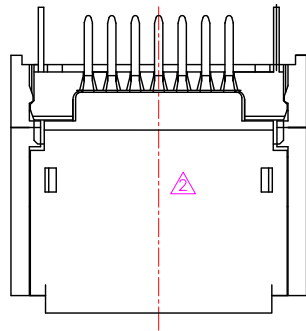
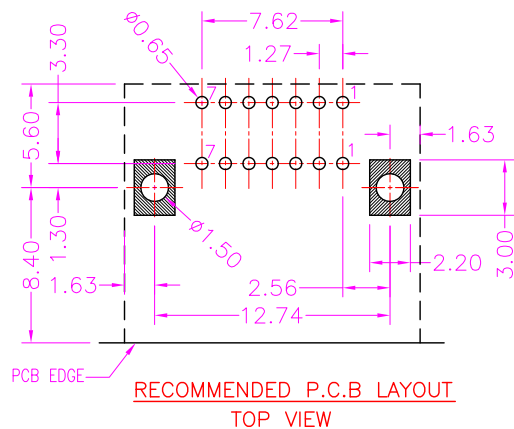
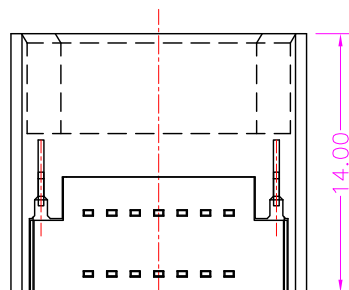
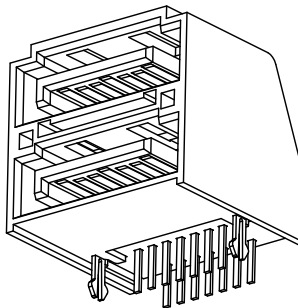
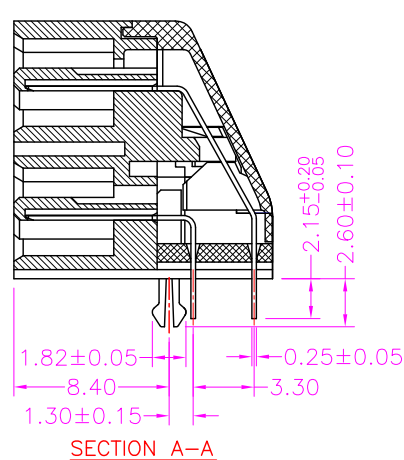
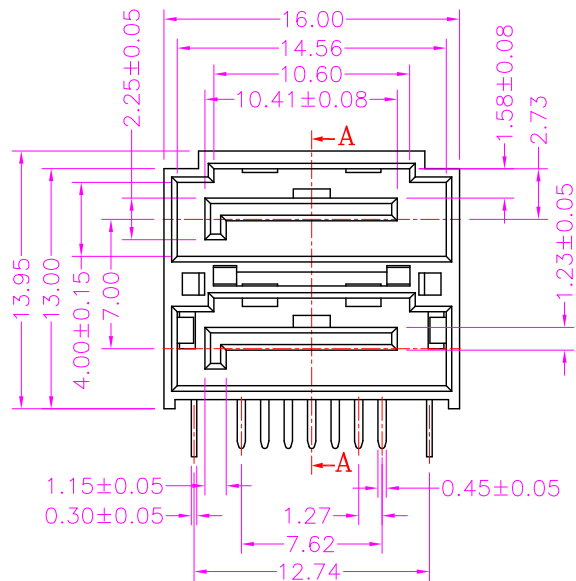


REV.	DESCRIPTION	DATE
1	PROPOSAL	Aug. 03, 2016
2	DRAW MODIFY	Nov. 22, 2016



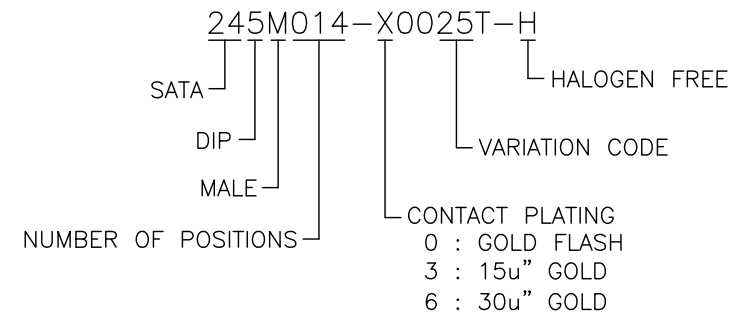
MATERIALS

- HOUSING : L.C.P (UL 94V-0). BLACK.
- TERMINAL : BRASS,
GOLD PLATED ON CONTACT AREA,
TIN PLATED ON SOLDER TAILS,
NICKEL UNDER PLATED OVER ALL.
- BOARDLOCK : BRASS, TIN PLATED.

SPECIFICATION

- CURRENT RATING : 1.5 AMPERE PER CONTACT.
- RATING VOLTAGE : 100V AC. MAX.
- DIELECTRIC WITHSTANDING VOLTAGE :
500V AC R.M.S. FOR ONE MINUTE.
- INSULATION RESISTANCE : 1000M OHMS MIN.
- CONTACT RESISTANCE : 30m OHMS MAX.
- OPERATING TEMPERATURE : -55°C TO +85°C.

PART NUMBER INFORMATION :



SIGNAL SEGMENT		TOLERANCE		DRAWER		 WWW.ASTRON.COM.TW NAME SERIAL ATA CONNECTOR (DOUBLE) 14PIN DIP TYPE MALE TYPE DRAW NO. 245M014-X0025T-H 08001
NAME	TYPE	.0=±	.00=±0.25	CHECK	<i>JNY</i>	
S1	GND	.000=±	.0000=±	APP'D	<i>ERP</i>	
S2	A+	ANG.=±3°		PRODUCT SPEC.		
S3	A-	 UNITS : mm		SHEET 1 OF 1		
S4	GND					
S5	B-	SCALE NONE	SIZE A4	REV.	2	
S6	B+					
S7	GND					