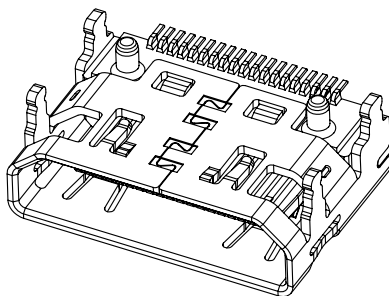
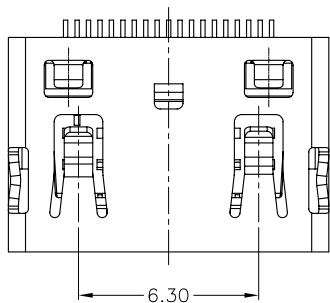


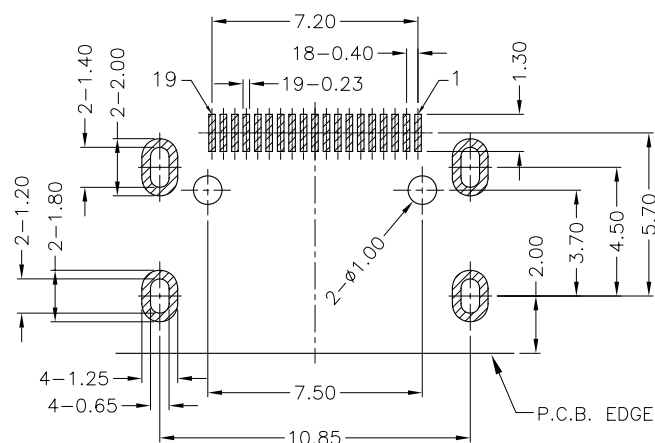
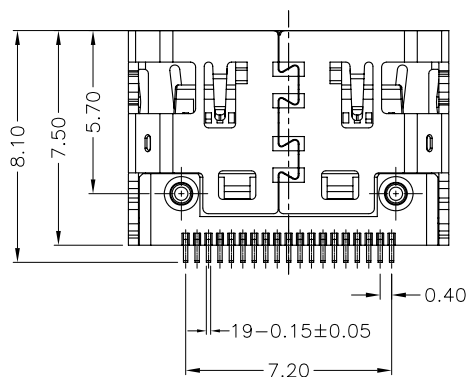
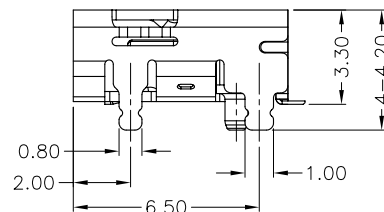
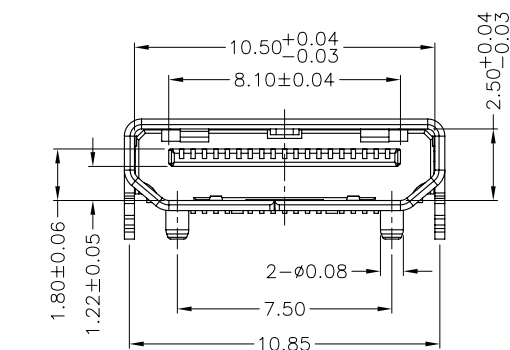
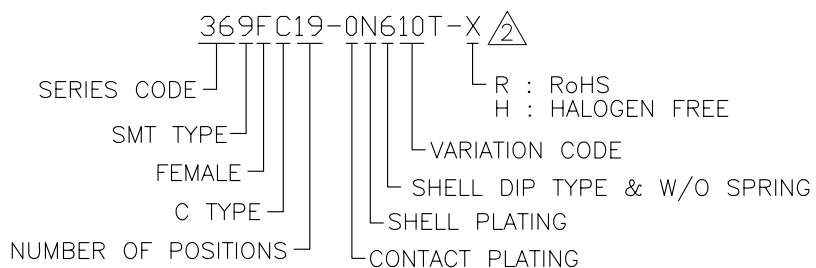
REV.	DESCRIPTION	DATE
1	PROPOSAL	Oct. 11, 2012
2	P/N MODIFY	Jan. 09, 2013
3	ADD. PACKAGE	Apr. 08, 2013



MATERIALS

- HOUSING : HI-TEMP. PLASTIC (UL 94V-0), BLACK.
- TERMINAL : COPPER ALLOY, GOLD FLASH ON CONTACT, TIN PLATING ON SOLDER TAIL.
- SHELL : COPPER ALLOY (t=0.35mm), NICKEL PLATING.

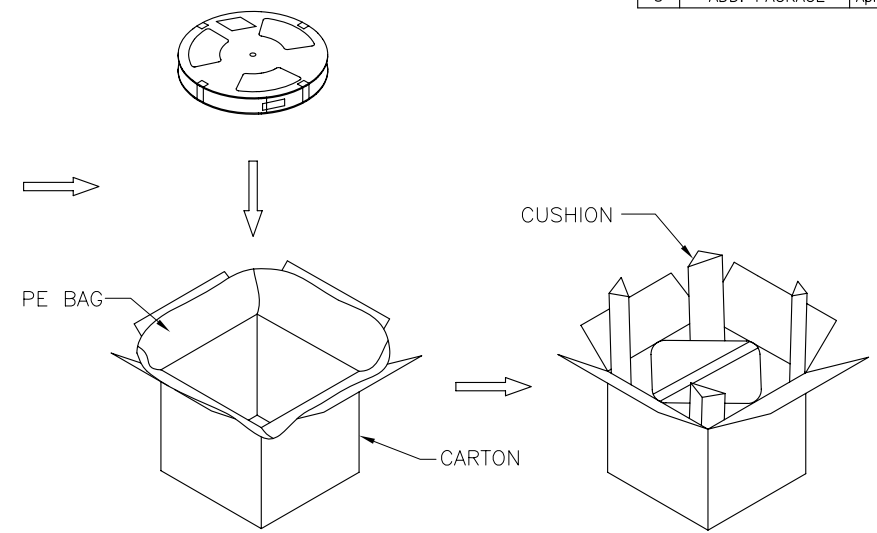
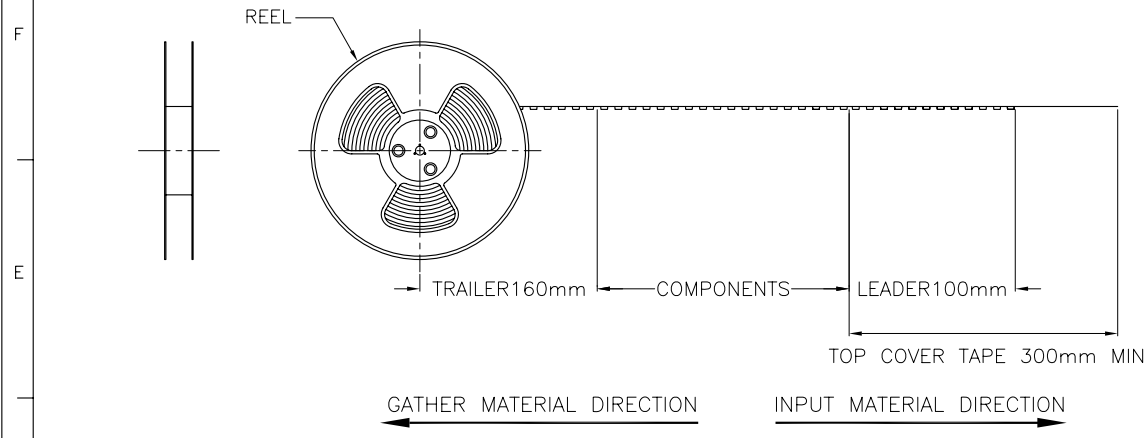
PART NUMBER INFORMATION



RECOMMEND P.C.B. LAYOUT
TOP VIEW

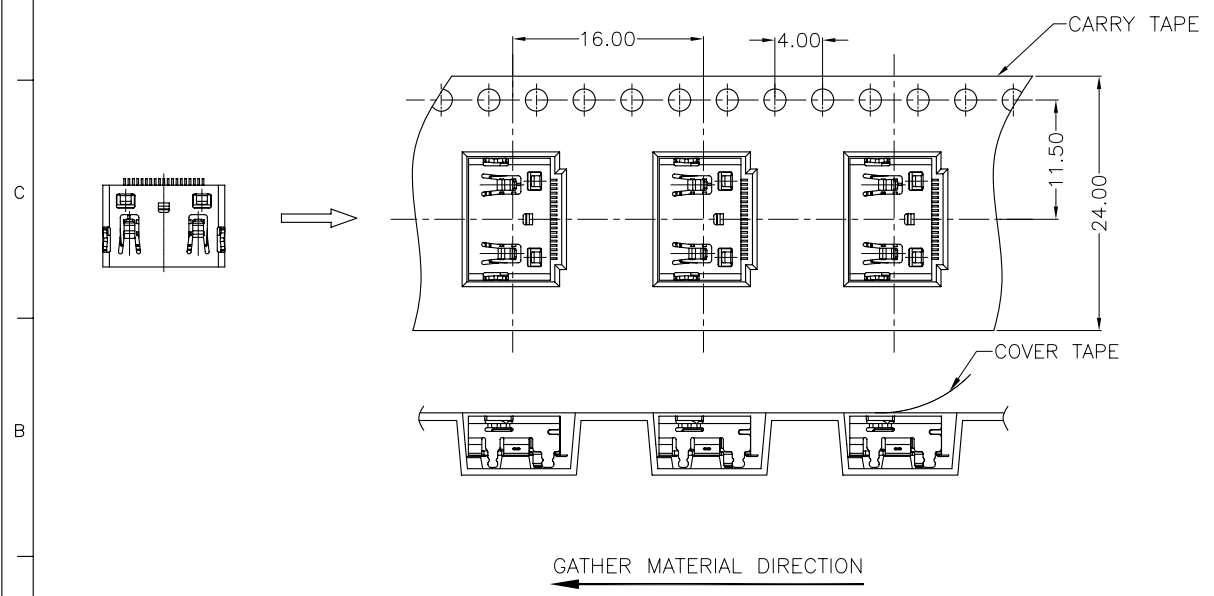
TOLERANCE .0=±0.38 .00=±0.25 .000=±.XXX .0000=±. ANG.=±3°		DRAWER <i>J.F.N.G.</i>		 WWW.ASTRON.COM.TW
 UNITS : mm		CHECK <i>J.A.N.P.E.</i>		
SCALE NONE		APP'D <i>ERFB</i>		DRAW NO. 369FC19-0N610T-X
SIZE A4		PRODUCT SPEC. —		REV. 3
SHEET 1 OF 2		SHEET 1 OF 2		08031

REV.	DESCRIPTION	DATE
1	PROPOSAL	Oct. 11, 2012
2	P/N MODIFY	Jan. 09, 2013
3	ADD. PACKAGE	Apr. 08, 2013



PACKAGE

1. SIZE :
 REEL : DIA.=330mm, W=24mm
 CORTON : 350x350x165mm (LxWxH)
2. QUANTITY :
 800 PCS/REEL
 5 REELs/CARTON : 4000PCS



TOLERANCE .0=±.XXX .00=±.XXX .000=±.XXX .0000=±. ANG.=±3°		DRAWER <i>JNG</i>	 Astron WWW.ASTRON.COM.TW
UNITS : mm		CHECK <i>JANPE</i>	
SCALE NONE	SIZE A4	APP'D <i>ERP</i>	DRAW NO. 369FC19-0N610T-X
SHEET 2 OF 2	REV. 3	PRODUCT SPEC. —	08031