

REV.	DESCRIPTION	DATE
A	RELEASE	May 08, 2015
A1		Feb 16, 2017

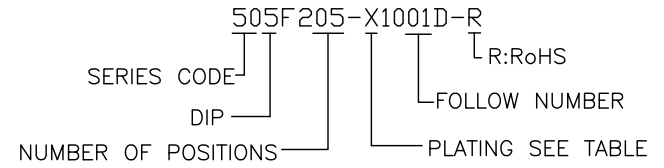
**MATERIALS**

- HOUSING : HI.-TEMPER PLASTIC (UL 94V-0) BLACK.
- TERMINAL : COPPER ALLOY,  
PLATING : GOLD PLATED ON CONTACT AREA, G/F PLATED ON SOLDER TAILS.

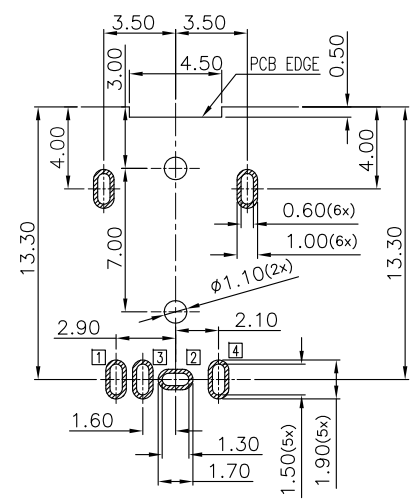
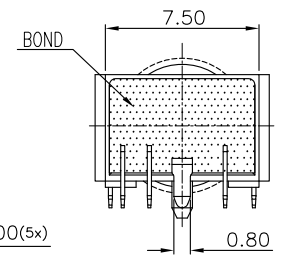
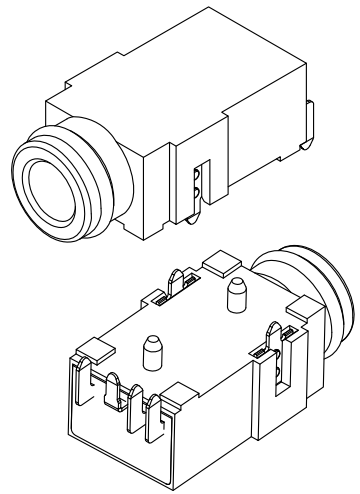
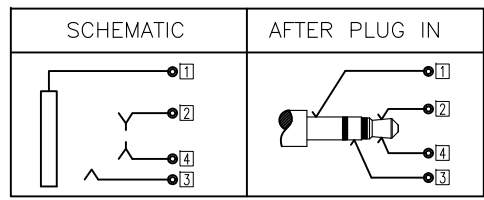
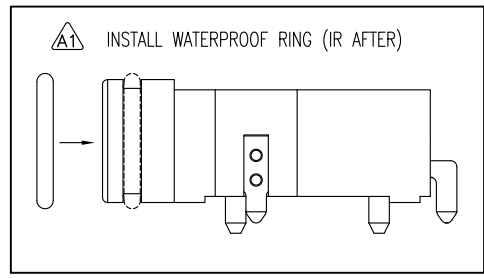
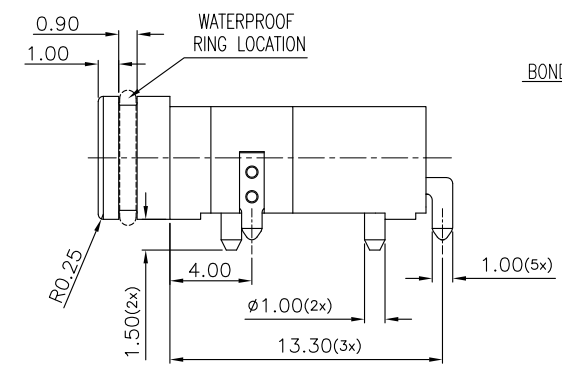
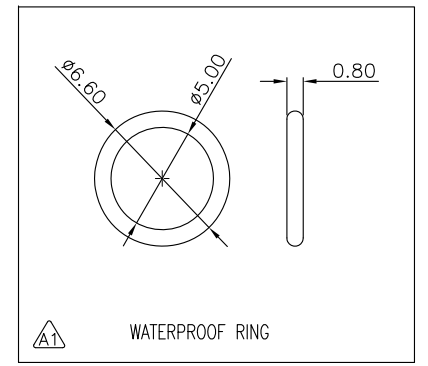
**SPECIFICATION**

- CURRENT RATING : 0.5 A. MAX.
- DIELECTRIC WITHSTANDING VOLTAGE :  
500V AC R.M.S. FOR 1 MINUTE.
- INSULATION RESISTANCE : 100MΩ MIN.AT 500V DC.
- CONTACT RESISTANCE : 30mΩ MAX.
- OPERATING TEMPERATURE : -40°C TO +85°C.
- DURABILITY : 5000 CYELES.
- WATER PROOFNESS:THIS PRODUCT IS BASED ON IPX7 OF THE JIS STANDARD
- INSETION FORCE:0.3KGF~3.0KGF
- WITHDRAWAL FORCE: 0.3KGF~3.0KGF
- USING PLUG:φ3.5MM · 4-POLE STEREO EARPHONE(LCH/RCH/GND/MIC)
- BODY WITH O-RING'S SEAL AREA BURRS IS 0.05mm MAX.

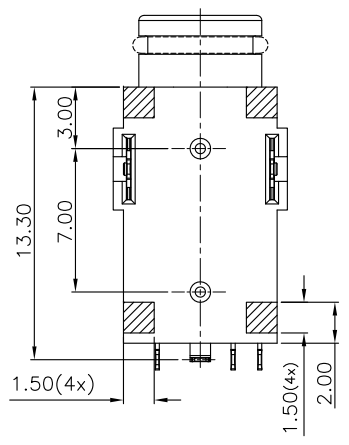
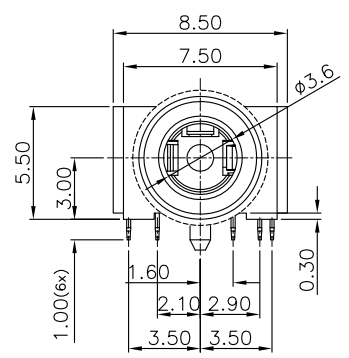
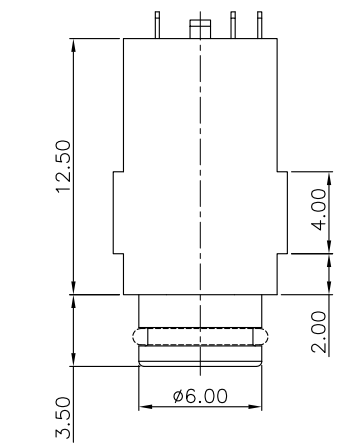
**PART NUMBER INFORMATION :**



DESCRIPTION OF PLATING ON TERMINALS			
NO.	EXPLAIN	NO.	EXPLAIN
0	GOLD FLASH	3	GOLD 15u''
6	GOLD 30u''		
TOLERANCE .0=±0.25 .00=±0.15 .000=±0.05 ANG.=±3°		DRAWER <i>Duan</i>	
UNITS : mm		CHECK <i>Stony</i>	
SCALE NONE		APP'D <i>Stony</i>	
SIZE A7		PRODUCT SPEC. —	
SHEET 1 OF 1		DRAW NO. R505F205-X1001D-R	
REV. A1			



RECOMMEND PCB LAYOUT  
TOLERANCE: ±0.05  
TOP VIEW



F  
E  
D  
C  
B  
A

1 2 3 4 5 6 7 8