

REV.	DESCRIPTION	DATE
A	N18'03013	Apr. 02, 2018
B	N18'03013	Apr. 02, 2018

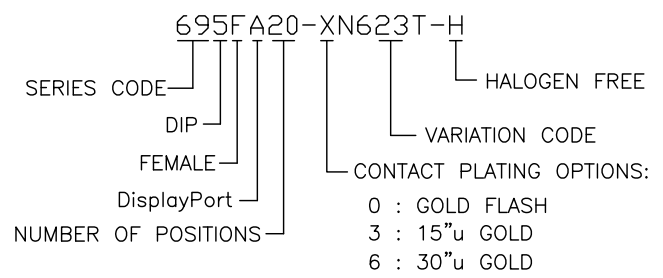
**MATERIALS**

- HOUSING : L.C.P, (UL 94V-0), BLACK.
- DUST COVER : L.C.P, (UL 94V-0), BLACK
- TERMINAL : BRASS,  
GOLD PLATING ON CONTACT AREA,  
TIN PLATING ON SOLDER TAIL,  
UNDER NICKEL PLATING OVER ALL.
- △ SHELL : STAINLESS STEEL, NICKEL PLATED.

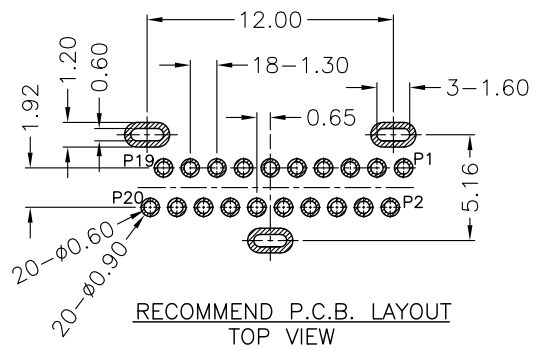
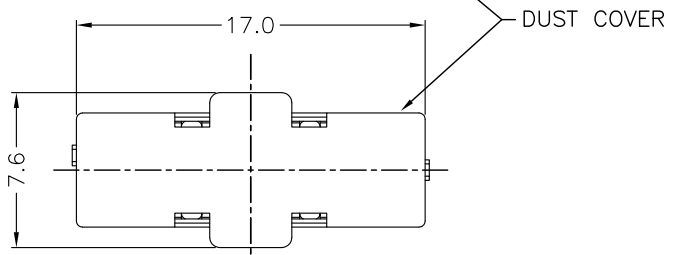
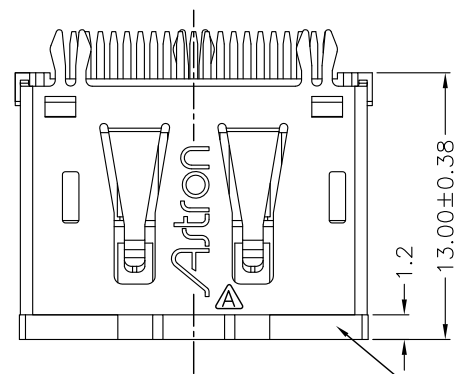
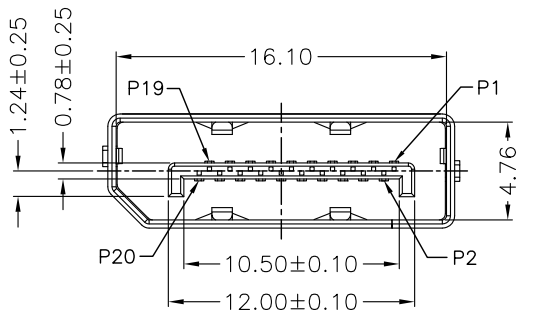
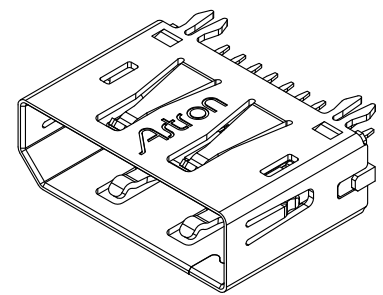
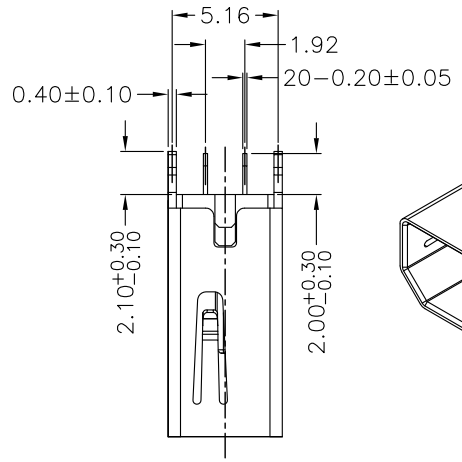
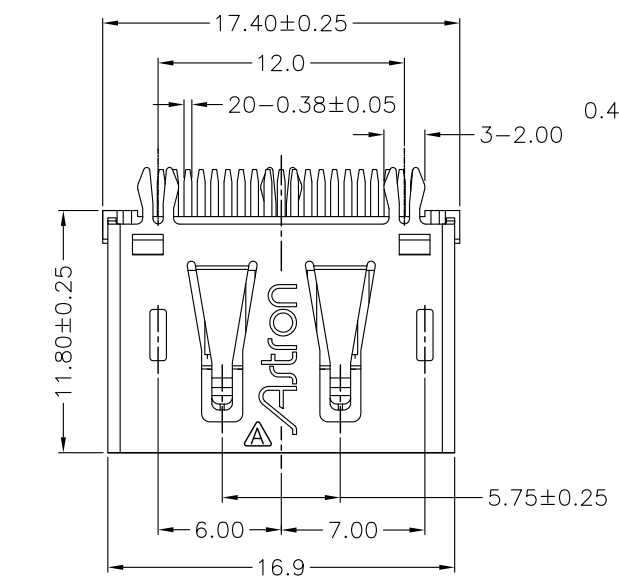
**SPECIFICATION**

- CURRENT RATING : 0.5 A MAX.
- RATING VOLTAGE : 40V AC.
- DIELECTRIC WITHSTANDING VOLTAGE :  
500V AC R.M.S. FOR ONE MINUTE.
- INSULATION RESISTANCE : 100M OHMS MIN.
- CONTACT RESISTANCE : 30m OHMS MAX.
- OPERATING TEMPERATURE : -55°C TO +85°C.
- INSERTION FORCE : 4.5kgf MAX.
- EXTRACTION FORCE : 1.0kgf MIN.

**PART NUMBER INFORMATION:**



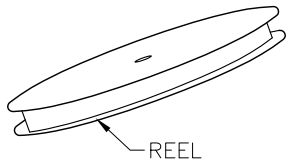
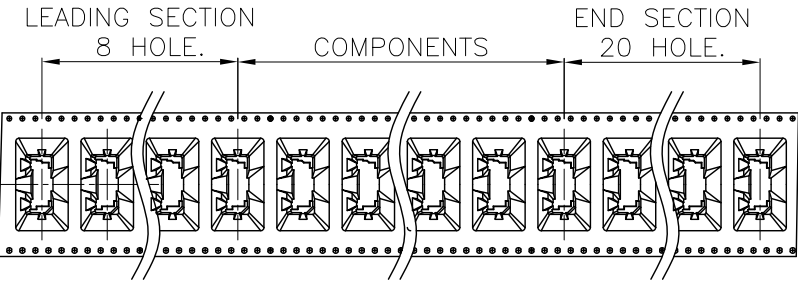
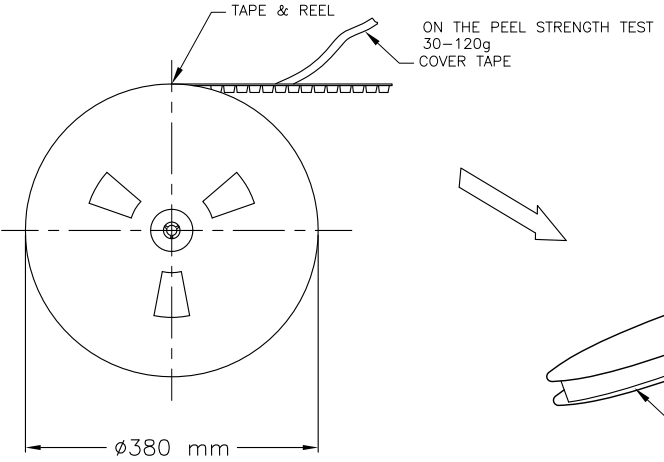
<b>TOLERANCE</b> .0=±0.25 .00=±0.20 .000=±.XXX .0000=±. ANG.=±3°		<b>DRAWER</b> <i>EKEN</i>		 <b>WWW.ASTRON.COM.TW</b>
		<b>CHECK</b> <i>YJONY</i>		
UNITS : mm		<b>APP'D</b> <i>YJONY</i>		
<b>SCALE</b> NONE		<b>PRODUCT SPEC.</b> —		
<b>SIZE</b> A4	<b>SHEET</b> 1 OF 2	<b>REV.</b> B	<b>NAME</b> DisplayPort CONNECTOR A TYPE, DIP, VERTICAL TYPE	
<b>DRAW NO.</b> 695FA20-XN623T-H				



WITH DUST COVER

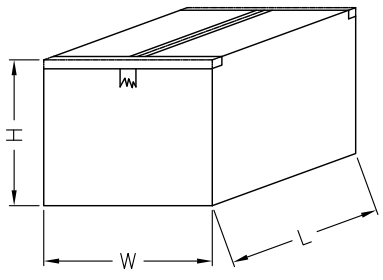
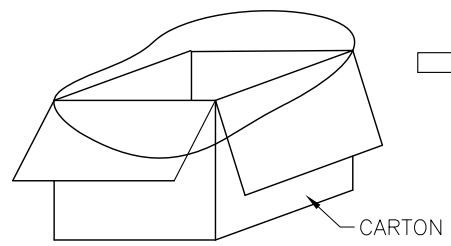
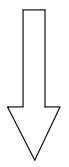
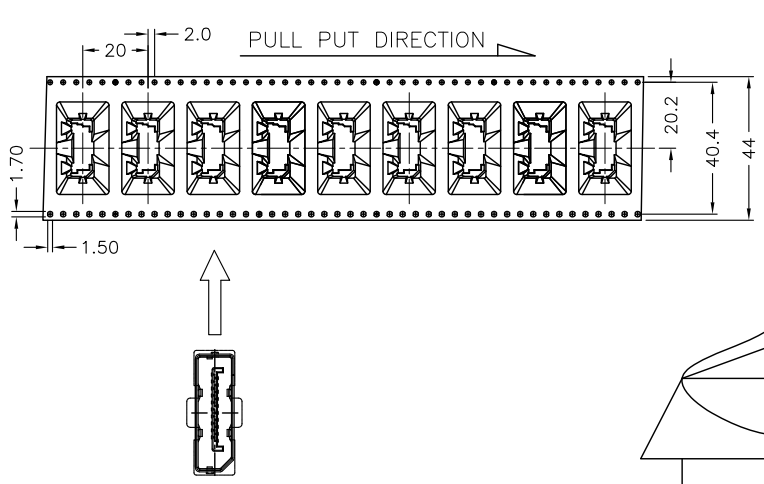
REV.	DESCRIPTION	DATE
A	N18'03013	Apr. 02, 2018
B	N18'03013	Apr. 02, 2018

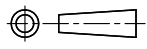
F  
E  
D  
C  
B  
A



**TAPE & PACKAGE :**  
**MATERIAL :**  
 1. CARRIER TAPE : PS.  
 2. COVER TAPE: PE.  
 3. REEL : PS.  
**QUANTITY :**  
 1. 250 PCS/REEL.  
 2. 1750PCS/CARTON.

**DIMENSION :**  
**REEL SIZE :**  
 DIA=380.0mm, W=44.0mm.  
**CARTON :**  
 L=420mm, W=406mm, H=380mm.



<b>TOLERANCE</b> .0=±0.25 .00=±0.20 .000=±.XXX .0000=±. ANG.=±3°		<b>DRAWER</b> <i>E.H.N</i>		<b>Astron</b> <a href="http://WWW.ASTRON.COM.TW">WWW.ASTRON.COM.TW</a> NAME DisplayPort CONNECTOR A TYPE, DIP, VERTICAL TYPE DRAW NO. 695FA20-XN623T-H
		<b>CHECK</b> <i>YONY</i>		
		<b>APP'D</b> <i>YONY</i>		
		<b>PRODUCT SPEC.</b> —		
UNITS : mm 		<b>SCALE</b> NONE		<b>SIZE</b> A4
		<b>SHEET</b> 2 OF 2	<b>REV.</b> B	

1 2 3 4 5 6 7 8