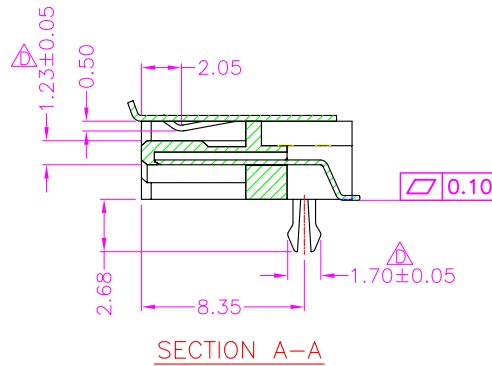
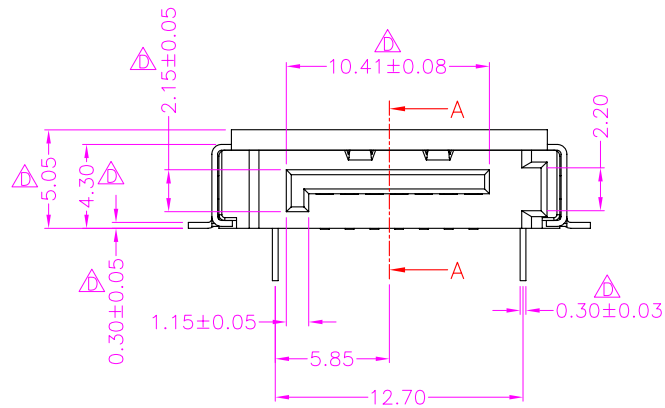
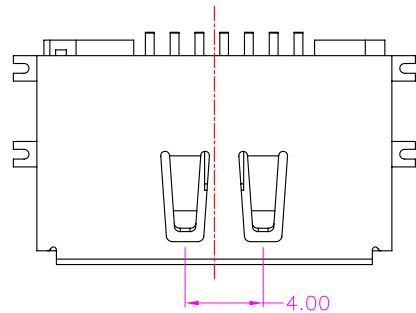


REV.	DESCRIPTION	DATE
A	RELEASE	Aug. 24, 2006
B	DRAW MODIFY	Sep. 08, 2006
C	DIM. MODIFY	Oct. 23, 2007
D	DIM. MODIFY	Dec. 24, 2014



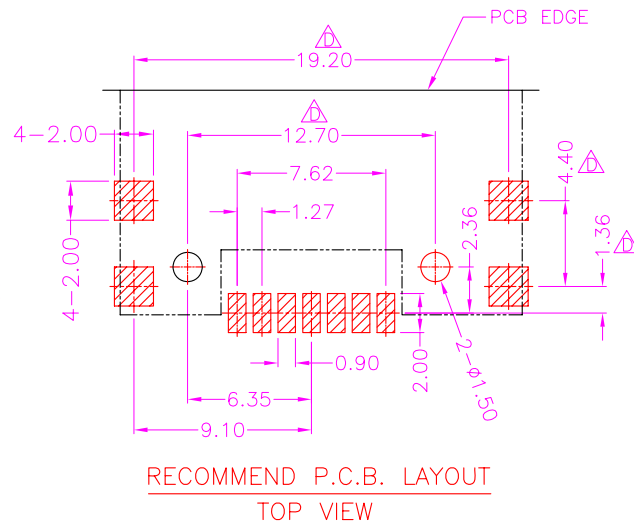
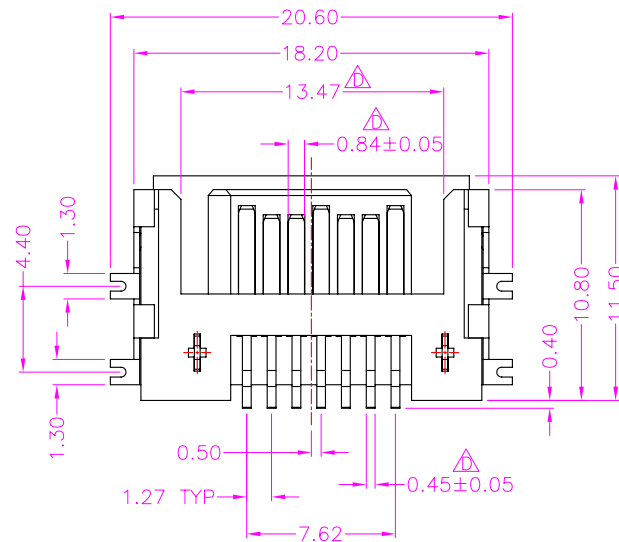
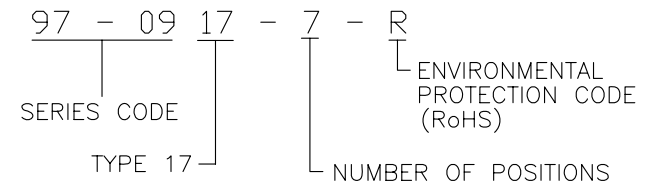
MATERIALS

- HOUSING : L.C.P (UL 94V-0), BLACK.
- TERMINAL : PHOSPHOR BRONZE, GOLD PLATED ON CONTACT AREA, TIN PLATED ON SOLDER TAIL, UNDER NICKEL PLATED OVER ALL.
- BOAED LOCK : BRASS, TIN PLATING.
- SHEEL : BRASS, NICKEL PLATING.

SPECIFICATION

- CURRENT RATING : 1.5 AMP. MAX.
- DIELECTRIC WITHSTANDING VOLTAGE : 500V AC R.M.S. FOR ONE MINUTE.
- INSULATION RESISTANCE : 1000M OHMS MIN. AT 500V DC.
- CONTACT RESISTANCE : 30m OHMS MAX.
- INSERTION FORCE : 45N MAX.
- EXTRACTION FORCE : 10N MIN.
- DURABILITY : 50 CYCLES.
- OPERATING TEMPERATURE : -55°C TO +85°C.

PART NUMBER INFORMATION :



TOLERANCE .0=±0.38 [.015] .00=±0.25 [.010] .000=±.XXX .0000=±. ANG.=±3°	DRAWER <i>JING</i>	Astron WWW.ASTRON.COM.TW	
	CHECK <i>JANPE</i>		
	APP'D <i>ERP</i>	NAME SERIAL ATA CONNECTOR P.C.B. MOUNT SMT R/A,	
	PRODUCT SPEC. —	DRAW NO. C97-0917-7-R	
UNITS : mm [inch]	T-641		
SCALE NONE	SIZE A4	SHEET 1 OF 1	REV. D
			08001