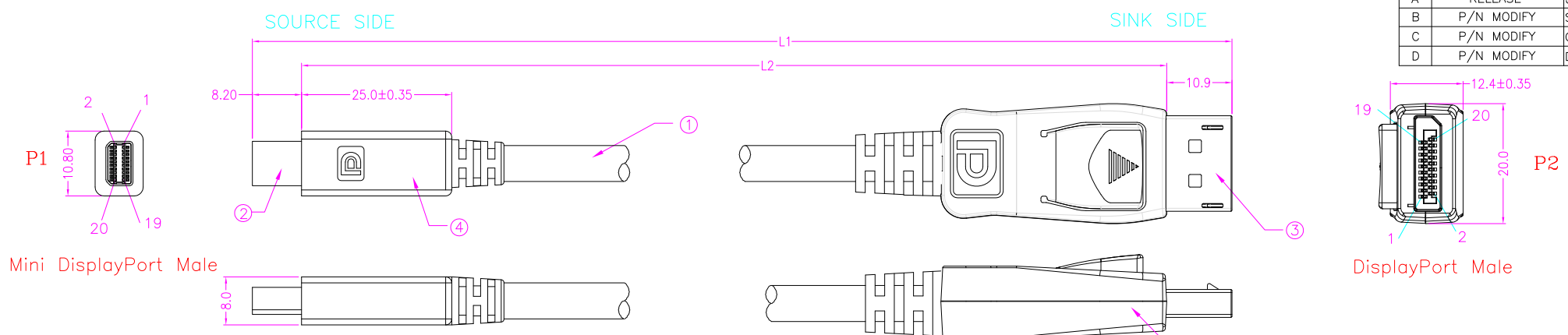


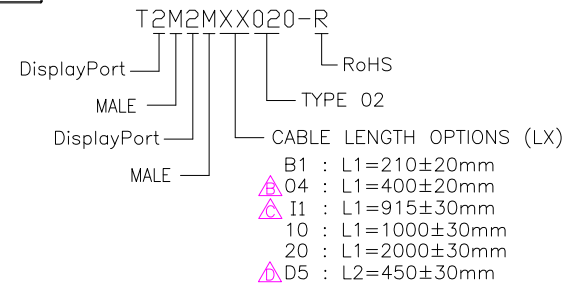
REV.	DESCRIPTION	DATE
A	RELEASE	Jun. 07, 2011
B	P/N MODIFY	Sep. 23, 2011
C	P/N MODIFY	Oct. 31, 2011
D	P/N MODIFY	Dec. 08, 2011



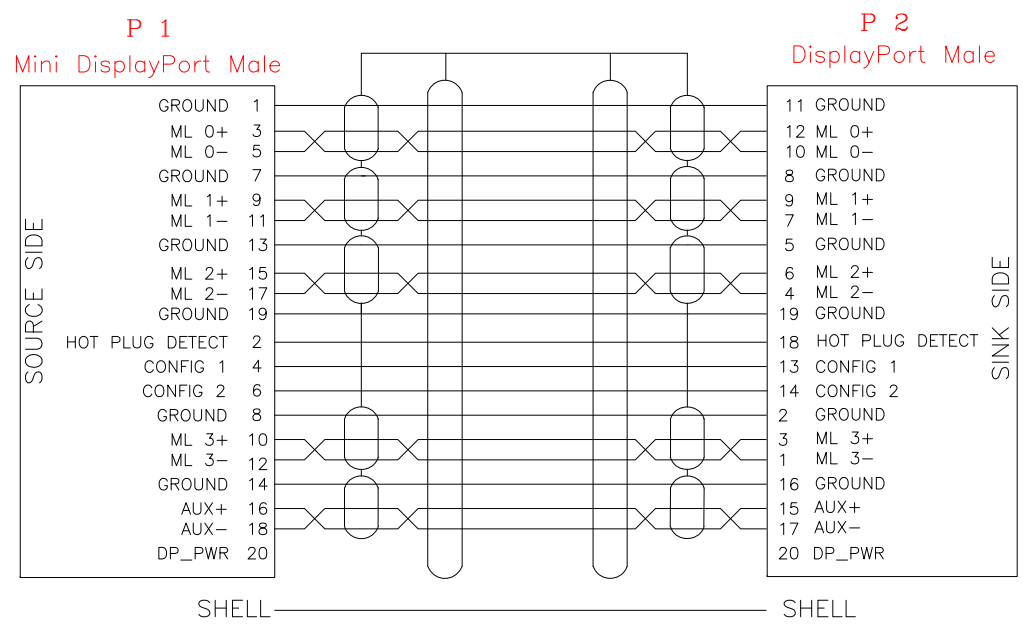
NOTE:

- ELECTRICAL TEST:
 - <1>.100% OPEN SHORT & MIS WIRE TEST .
 - <2>.CONTACT RESISTANCE 3 Ohm MAX.
 - <3>.INSULATION RESISTANCE 10M Ohm MIN.
 - <4>.HI-POT VOLTAGE 300V DC
- COPPER 360° SOLDER CABLE BRAID AND CONN SHELL.

PART NUMBER INFORMATION



SCHMATIC DIAGRAM



⑤	COVER	BLACK, PC+ABS.
④	OVERMOLD	PVC, BLACK
③	CONNECTOR	DisplayPort MALE CONNECTOR.
②	CONNECTOR	Mini DisplayPort MALE, SOLDER TYPE.
①	CABLE	UL20276 (1P*32#+D+AL+MYLAR)*5C+5C*32#+AL+B+PAPER JACKET : BLACK PVC, OD=5.5mm.

NO.	PART	SPECIFICATION
TOLERANCE		DRAWER
.0=±0.25		BEN
.00=±0.10		CHECK
.000=±.		JIN
.0000=±.		APP'D
ANG.=±3°		JANPE
		PRODUCT SPEC.
UNITS : mm [inch]		NAME
SCALE NONE		WWW.ASTRON.COM.TW
SIZE A4		MINI DisplayPort MALE TO DisplayPort MALE CABLE
SHEET 1 OF 1		DRAW NO.
REV. D		T2M2MXX020-R