

REV.	DESCRIPTION	DATE
A	RELEASED	Jun. 28, 2024
B	DRAWING CORRECT	Aug. 07, 2024

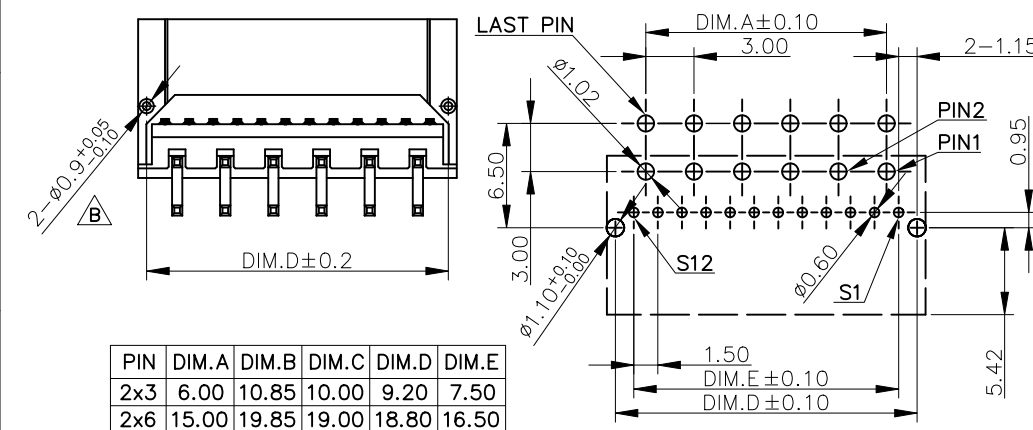
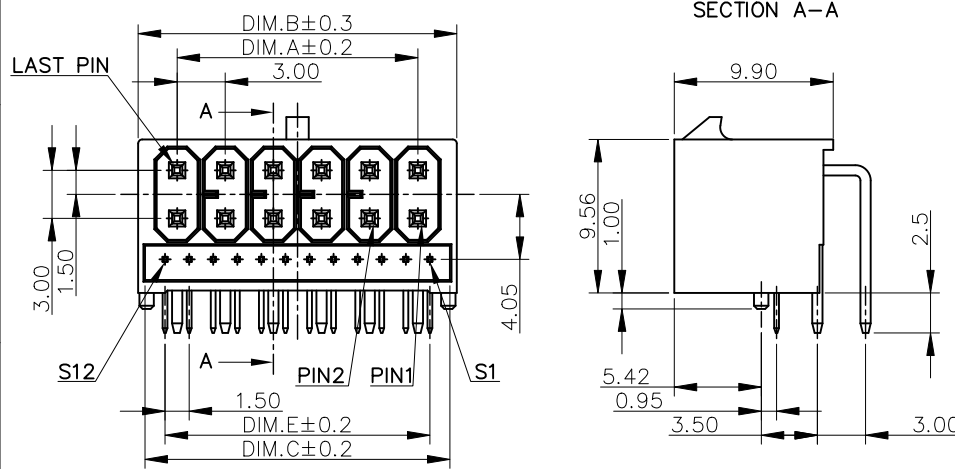
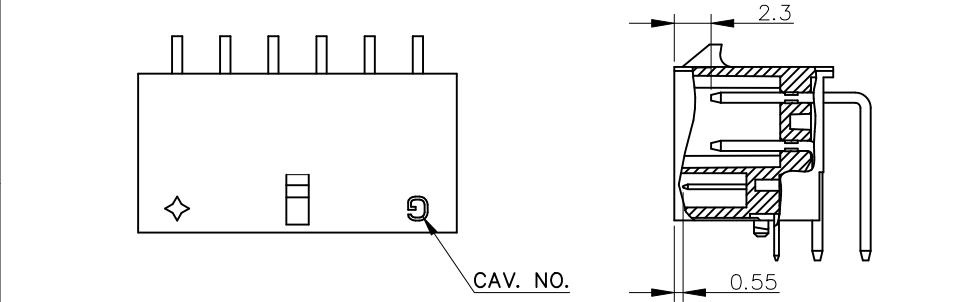
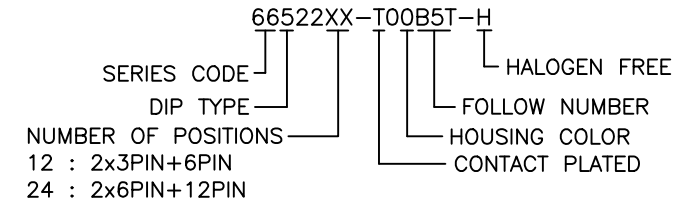
MATERIALS

- HOUSING : THERMOPLASTIC (UL94 V-0), BLACK.
- TERMINAL :
HIGH COPPER ALLOY(T=0.64mm),
COPPER ALLOY(T=0.30mm),
PLATING: MATTE TIN PLATED, NICKEL UNDER PLATED.

△B SPECIFICATION

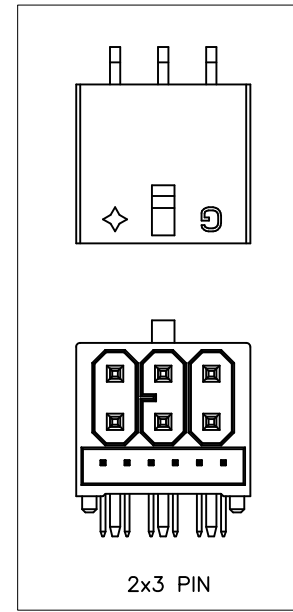
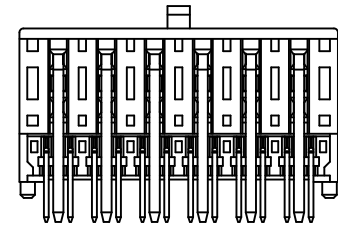
- CURRENT RATING :
(6+6PIN) 13.5A PER PIN(POWER), 1.0A PER PIN(SIGNAL)
(12+12PIN) 12A PER PIN(POWER), 1.0A PER PIN(SIGNAL)
- VOLTAGE RATING : 12V
- CONTACT RESISTANCE : 5mΩ MAX.(INITIAL)(POWER TERMINAL)
50mΩ MAX.(INITIAL)(SIGNAL TERMINAL)
- INSULATION RESISTANCE : 1000MΩ MIN, AT 500V DC.
- DIELECTRIC WITHSTANDING VOLTAGE :
1000V AC FOR 1 MINUTE (POWER TERMINAL).
300V AC FOR 1 MINUTE (SIGNAL TERMINAL).
- OPERATING TEMPERATURE : -40°C TO +105°C.
- DURABILITY : 30 CYCLES.

PART NUMBER INFORMATION :



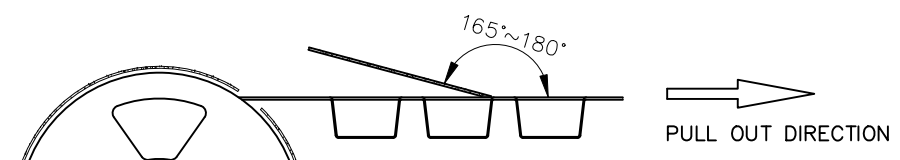
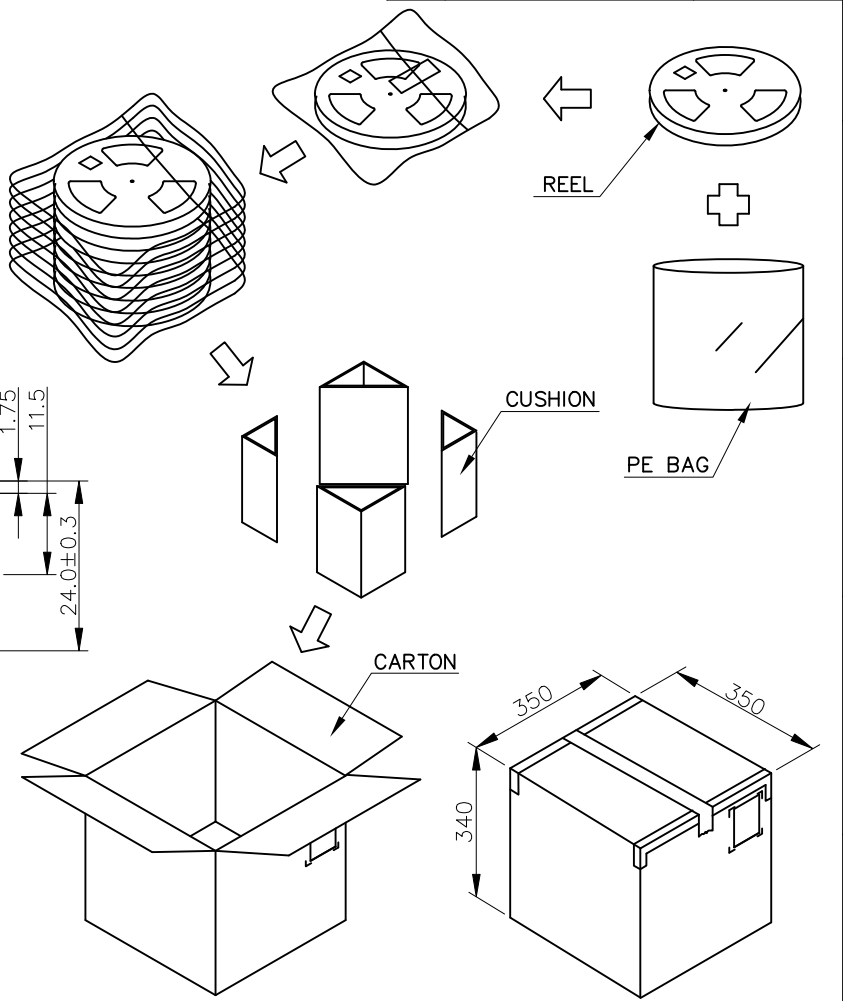
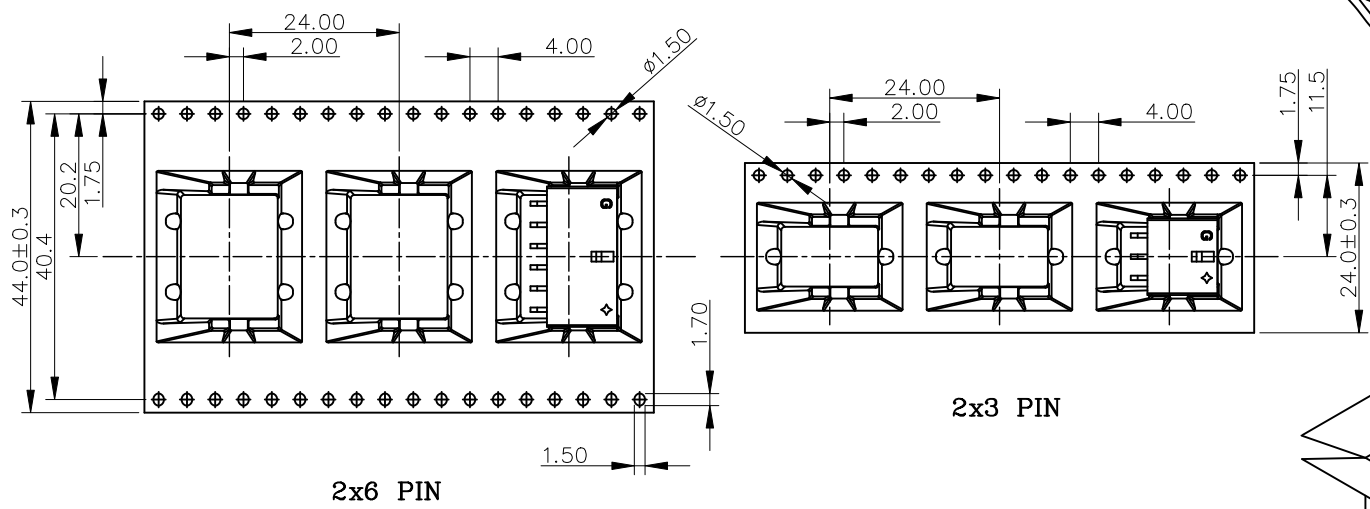
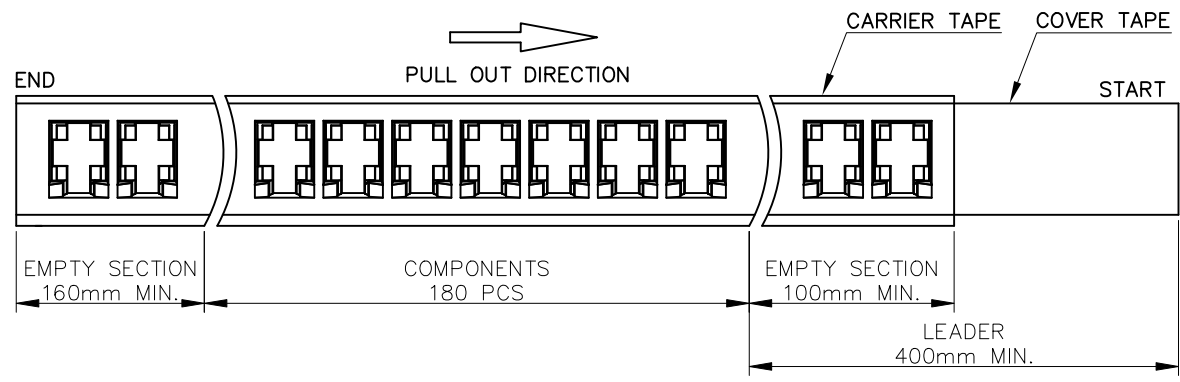
PIN	DIM.A	DIM.B	DIM.C	DIM.D	DIM.E
2x3	6.00	10.85	10.00	9.20	7.50
2x6	15.00	19.85	19.00	18.80	16.50

RECOMMENDED P.C.B LAYOUT
TOLERANCE: ±0.05mm (TOP VIEW)



GENERAL TOLERANCE		DRAWER		ASTRON connectivity
DIM.	.0 = ±0.30 .00 = ±0.20 .000 = ±X.XX	Kenny		
ANG.	0.° = ±X° .0° = ±3° .00° = ±X°	Joe		
3rd ANGLE PROJECTION		APP'D		NAME POWER CONNECTOR PITCH: 3.0/1.5 DIP TYPE, RIGHT ANGLE
UNITS : mm		Frank		
SCALE	SIZE	SHEET	REV.	P/N. 66522XX-T00B5T-H
NONE	A4	1 OF 2	B	
				C NO.
				08031 (T0195)

REV.	DESCRIPTION	DATE
A	RELEASED	Jun. 28, 2024
B	DRAWING CORRECT	Aug. 07, 2024



PACKAGE

- SIZE :
 REEL : $\phi 330$ mm
 CARTON : L=350 x W=350 x H=340 mm
- QUANTITY :

PIN	PCS/REEL	REEL/CARTON	TOTAL(PCS)
2x3	180	9	1620
2x6	180	6	1080

GENERAL TOLERANCE	DRAWER Kenny	ASTRON connectivity
DIM. .0 = ± 0.30 .00 = ± 0.20 .000 = $\pm X.XX$	CHECK Joe	
ANG. 0° = $\pm X'$.0° = $\pm 3'$.00° = $\pm X'$	APP'D Frank	NAME POWER CONNECTOR PITCH: 3.0/1.5 DIP TYPE, RIGHT ANGLE
3rd ANGLE PROJECTION 	PACKAGE SPEC.	P/N. 66522XX-T00B5T-H
SCALE NONE SIZE A4	SHEET 2 OF 2 REV. B	CONFIDENTIAL
		08031 (T0195) C NO.