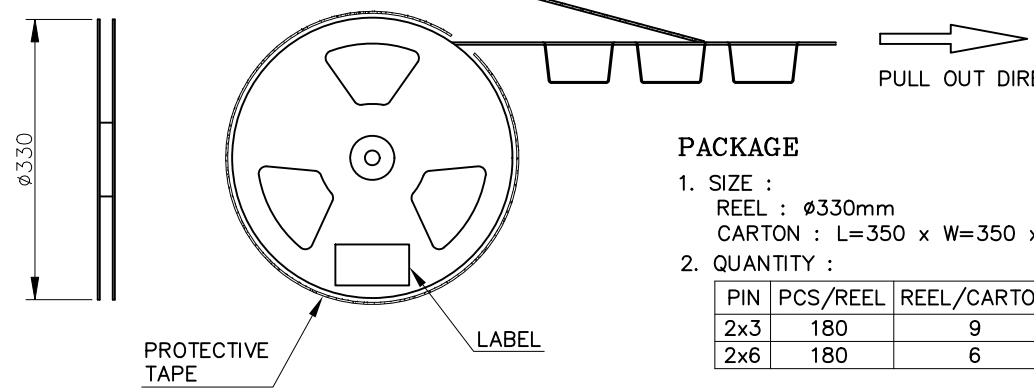
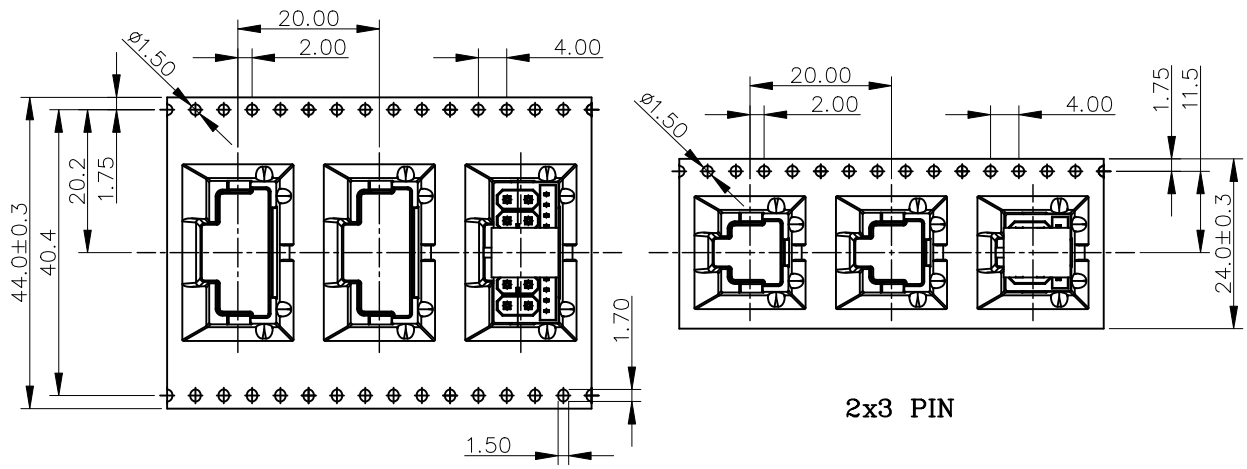
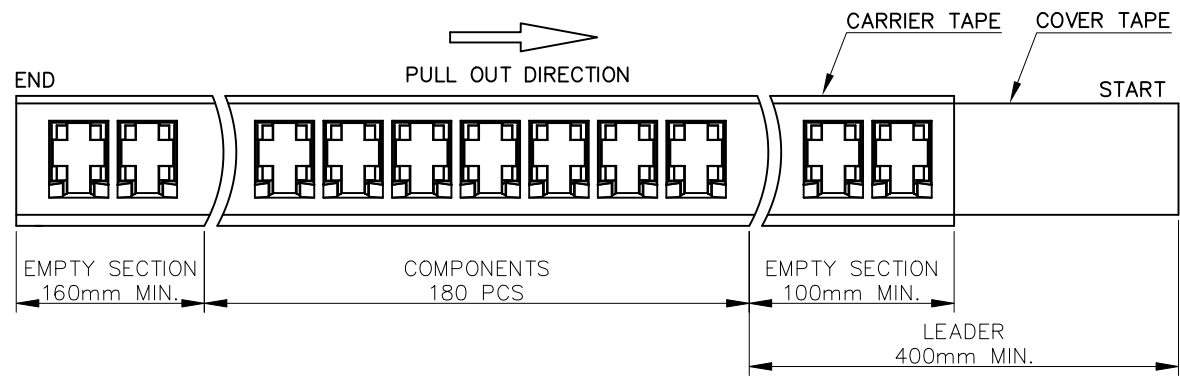


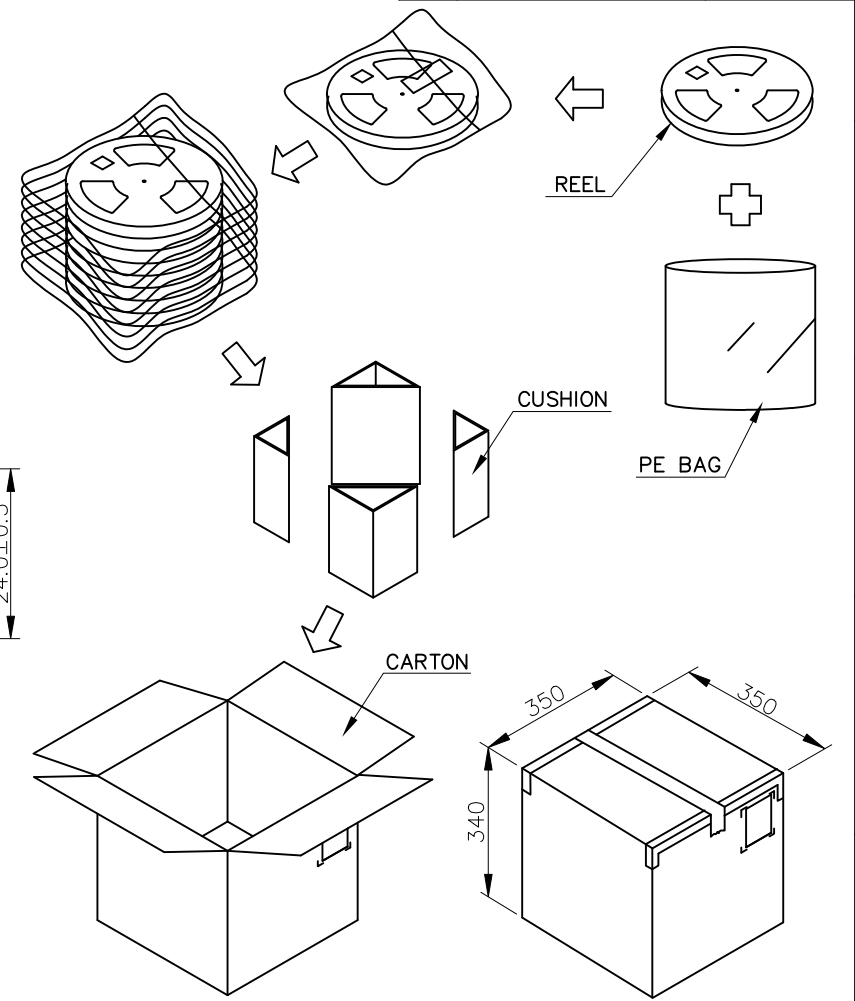
REV.	DESCRIPTION	DATE
A	RELEASED	Jul. 01, 2024
B	DRAWING CORRECT	Aug. 07, 2024



PACKAGE

1. SIZE :
 REEL : Ø330mm
 CARTON : L=350 x W=350 x H=340 mm
2. QUANTITY :

PIN	PCS/REEL	REEL/CARTON	TOTAL(PCS)
2x3	180	9	1620
2x6	180	6	1080



GENERAL TOLERANCE	DRAWER Kenny	ASTRON connectivity	
DIM. .0 = ±0.30 .00 = ±0.20 .000 = ±X.XX	CHECK Joe		
ANG. 0° = ±X° .0° = ±3° .00° = ±X°	APP'D Frank	NAME POWER CONNECTOR PITCH: 3.0/1.5 DIP TYPE, VERTICAL	
3rd ANGLE PROJECTION 	PACKAGE SPEC.	P/N. 66522XX-X00B6T-H	
SCALE NONE	SIZE A4	SHEET 2 OF 2	
		REV. B	
			08031 (T0195)
			C NO.